

## HAMPTON RADIANT™

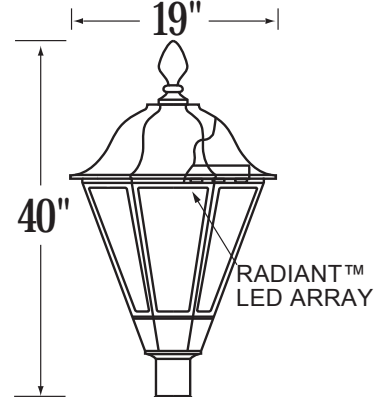


This traditional fixture combines old-world style with modern performance in cast aluminum construction. The Hampton is designed and built to give years of maintenance-free service from the finish to the different component parts. Lenses are available in acrylic, polycarbonate or tempered glass, in clear or frosted finish. These types of light distribution, IES Type II, III, IV and V, are available to meet varying conditions and design requirements and are "full

EPA: 2.9 Weight: 40 lbs  
5 Year Limited Warranty on LED System  
ETL Listed To UL1598 Standards For Wet Locations

cut-off". The direction of distribution is controlled by a simple field adjustment (rotation) of the entire fixture.

The hinged roof opens with one fastener for ease of relamping. The fixture is finished in polyester powder, baked and cured, and sealed for weather tight operation. See color chart below. For post top mounting, fixture slips a tenon or pole top. The Hampton can also be wall mounted on decorative arms. Separate surge protectors in addition to all drivers, are installed in the circuitry as a company standard.



Shown (left): Hampton LED luminaire on a straight fluted extruded pole with cast decorative base PLB-512-4 (AA.)

### LED LIGHT ENGINE SPECIFICATIONS:

INITIAL LUMENS BASED ON 219B CHIPS

MODEL#	WATTAGE	INITIAL LUMENS	SYSTEM EFFICACY	CCT	CRI	IES DISTRIBUTIONS
40W35C5K	40	4720	118	5K	65	Type II, III, IV, V
45W35C5K	46	5290	115	5K	65	Type II, III, IV, V
70W60C5K	70	8260	118	5K	65	Type II, III, IV, V
80W60C5K	80	9200	115	5K	65	Type II, III, IV, V
100W90C5K	103	11,900	118	5K	65	Type II, III, IV, V
120W90C5K	120	13,920	115	5K	65	Type II, III, IV, V
145W90C5K	145	16,965	117	5K	65	Type II, III, IV, V
40W35C4K	42	4480	112	4K	65	Type II, III, IV, V
45W35C4K	47	5014	109	4K	65	Type II, III, IV, V
70W60C4K	70	7840	112	4K	65	Type II, III, IV, V
80W60C4K	80	8720	109	4K	65	Type II, III, IV, V
100W90C4K	103	11,536	112	4K	65	Type II, III, IV, V
120W90C4K	120	13,080	109	4K	65	Type II, III, IV, V
145W90C4K	145	16,965	117	4K	65	Type II, III, IV, V
40W35C3K	40	3480	87	3.5K	80	Type II, III, IV, V
45W35C3K	46	3910	85	3.5K	80	Type II, III, IV, V
70W60C3K	70	6090	87	3.5K	80	Type II, III, IV, V
80W60C3K	80	6800	85	3.5K	80	Type II, III, IV, V
100W90C3K	103	8961	87	3.5K	80	Type II, III, IV, V
120W90C3K	120	10,200	85	3.5K	80	Type II, III, IV, V
145W90C3K	145	14,065	97	3.5K	80	Type II, III, IV, V
45W35C2K	46	3680	80	2.7K	80	Type II, III, IV, V
80W60C2K	80	6400	80	2.7K	80	Type II, III, IV, V
120W90C2K	120	9600	80	2.7K	80	Type II, III, IV, V
145W90C2K	145	12,615	87	2.7K	80	Type II, III, IV, V

ORDERING FORMAT SURGE PROTECTION DEVICE MEETS IEEE C62.41 2002 C HIGH 10kA See spec sheet on page J12.

MODEL # - LENS - LED MODEL # - VOLTAGE - IES DIST. - OPTIONS - FINISH  
**HAM CL-ACR 80W60C3K UNIVERSAL TYPE III PC BK**

OPTIONS				FINISH	
<b>Lens</b> CL-TG=Clear Tempered Glass FR-TG=Frosted Tempered Glass CL-ACR=Clear Acrylic WH-ACR= White Acrylic FR-POLY=Frosted Polycarbonate CL-POLY=Clear Polycarbonate DP-32 ACR=Double Pattern FR-ACR=Frosted Acrylic	<b>Optical</b> II III IV V CL= Clear Lens All arrays are "Full Cut-off"	<b>Electrical</b> PC=Photo Control Button FS=Fuse (single) FD=Fuse (double) Auto Sensing to 277V AC	<b>Mounting</b> SF=Slip Fitter (3")	<b>Standard Colors</b> BK=Black BZ=Medium Bronze DBZ=Dark Bronze WH=White GR=Green SM=Silver Metallic	<b>Premium Colors</b> VP=Verde Patina PP=Pewter Patina SS=Silver Sparkle CC=Custom color HG= Hartford Green TBK=Textured Black

IP Rating: IP65

LED Engine by **SANSI**