

## REVERE RADIANT™

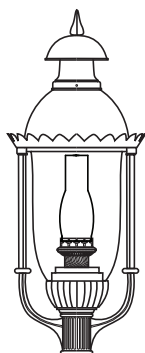


EPA: 2.3 WEIGHT: 34 lbs  
5 Year Limited Warranty on LED System ETL Listed To UL1598 Standards For Wet Locations

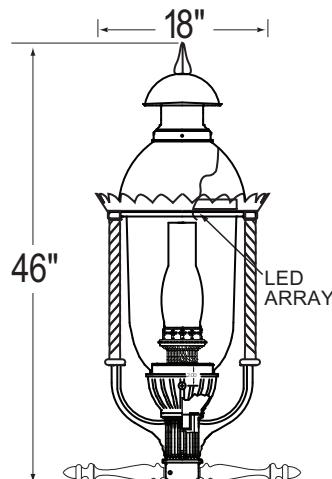
This basic style was one of the first street lamps used in America at the turn of the century and was gas fired. Pemco engineers have carefully utilized this distinctive style and have adapted modern materials, optics and electrical ballasts to create an authentic replica. This fixture spans many architectural periods from Victorian to Georgian, from the 1890s to the 1930s. The construction utilizes aluminum castings and a top spinning for sturdiness. The hinged top opens with

a captive fastener, with all stainless steel hardware. A molded one-piece clear cylinder is available in acrylic or UV stabilized polycarbonate.

These types of light distribution, IES Type II, III, IV and V, are available to meet varying conditions and design requirements and are "full cut-off". The direction of distribution is controlled by a simple field adjustment (rotation) of the entire fixture. Hurricane lamp is decorative. The fixture is finished in polyester powder, baked and cured, and sealed for weatherproof operation. Separate surge protectors in addition to all drivers, are installed in the circuitry as a company standard.



Optional Smooth Support Arms



Shown (left):  
Revere LED fixture with (RA) rope arms - standard with a 5" fluted pole suggested.

### LED LIGHT ENGINE SPECIFICATIONS:

INITIAL LUMENS BASED ON 219B CHIPS

MODEL#	WATTAGE	INITIAL LUMENS	SYSTEM EFFICACY	CCT	CRI	IES DISTRIBUTIONS
40W35C5K	40	4720	118	5K	65	Type II, III, IV, V
45W35C5K	46	5290	115	5K	65	Type II, III, IV, V
40W35C4K	40	4725	112	4.0K	65	Type II, III, IV, V
45W35C4K	46	5197	109	4.0K	65	Type II, III, IV, V
40W35C3K	40	3950	87	3.5K	80	Type II, III, IV, V
45W35C3K	46	4345	85	3.5K	80	Type II, III, IV, V
45W35C2K	46	3919	80	2.7K	80	Type II, III, IV, V

**SURGE PROTECTION DEVICE MEETS IEEE C62.41 2002 C HIGH 10kA See spec sheet on page J12.**

#### ORDERING FORMAT

MODEL # - LENS - LED MODEL # - VOLTAGE - IES DIST. - OPTIONS - FINISH  
**REV FR-ACR 45W35C4K UNIVERSAL TYPE III RA BK**

OPTIONS				FINISH	
<b>Lens</b> CL-ACR=Clear Acrylic WH-ACR=White Acrylic FR-ACR=Frosted Acrylic CL-POLY=Clear Polycarb FR-POLY=Frosted Polycarb FL-GL=Flat Glass FL-FR-GL=Flat Frosted Glass FL-ACR=Flat Acrylic FL-FR-ACR=Flat Frosted Acrylic	<b>Optical</b> LED Optical Lens (Mounted on LED) II III IV V CL=Clear Lens GC=Glass Chimney (optional with all lens styles)	<b>Electrical</b> PC=Photo Control Button FS=Fuse (single) FD=Fuse (double) Auto Sensing to 277V AC	<b>Mounting</b> SF=Slip Fitter (3") LR=Ladder Rest RA=Rope Arms* SA=Smooth Arms *standard	<b>Standard Colors</b> BK=Black BZ=Medium Bronze DBZ=Dark Bronze WH=White GR=Green SM=Silver Metallic	<b>Premium Colors</b> VP=Verde Patina PP=Pewter Patina SS=Silver Sparkle CC=Custom color

All arrays are "Full Cut-off"

IP Rating: IP65

LED Engine by **SANSI**