

## CARLSBAD RADIANT™



Shown (above):  
Seeded panels PC / GR finish.

This graceful and well proportioned fixture combines both good looks with superior construction. Made of cast aluminum, the upper chamber also contains a cast cap and finial. Attachment to the center chamber, which contains six panels, either acrylic or polycarbonate, in clear, is done by a locking mechanism for easy lamp servicing.

See options below. The fixture is fin-

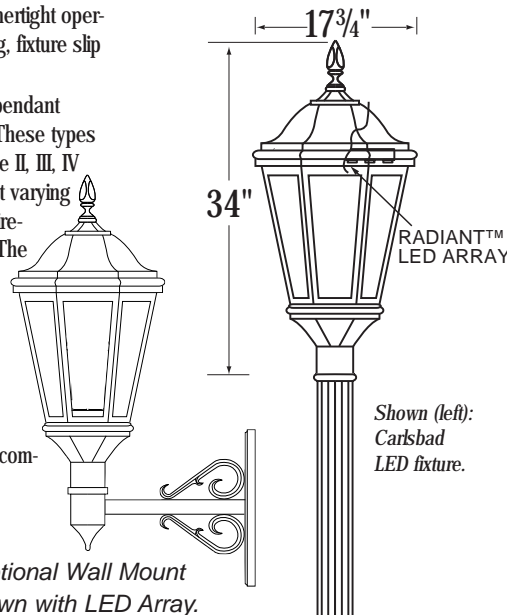
EPA: 2.7 Weight: 40 lbs  
5 Year Limited Warranty on LED System  
ETL Listed To UL1598 Standards For Wet Locations

See Pedestrian size next page.

ished in polyester powder, baked and cured, and sealed for weathertight operation. For post mounting, fixture slip fits a tenon or pole top.

The Carlsbad can also be pendant mounted or wall mounted. These types of light distribution, IES Type II, III, IV and V, are available to meet varying conditions and design requirements and are "full cut-off". The direction of distribution is controlled by a simple field adjustment (rotation) of the entire fixture.

Separate surge protectors in addition to all drivers, are installed in the circuitry as a company standard.



### LED LIGHT ENGINE SPECIFICATIONS:

INITIAL LUMENS BASED ON 219B CHIPS

MODEL#	WATTAGE	INITIAL LUMENS	SYSTEM EFFICACY	CCT	CRI	IES DISTRIBUTIONS
40W35C5K	40	4720	118	5K	65	Type II, III, IV, V
45W35C5K	46	5290	115	5K	65	Type II, III, IV, V
70W60C5K	70	8260	118	5K	65	Type II, III, IV, V
80W60C5K	80	9200	115	5K	65	Type II, III, IV, V
40W35C4K	40	4480	112	4.3K	65	Type II, III, IV, V
45W35C4K	46	5014	109	4.3K	65	Type II, III, IV, V
70W60C4K	70	7840	112	4.3K	65	Type II, III, IV, V
80W60C4K	80	8720	109	4.3K	65	Type II, III, IV, V
40W35C3K	40	3480	87	3.5K	80	Type II, III, IV, V
45W35C3K	46	3910	85	3.5K	80	Type II, III, IV, V
70W60C3K	70	6090	87	3.5K	80	Type II, III, IV, V
80W60C3K	80	6800	85	3.5K	80	Type II, III, IV, V
45W35C2K	46	3680	80	2.7K	80	Type II, III, IV, V
80W60C2K	80	6400	80	2.7K	80	Type II, III, IV, V

**SURGE PROTECTION DEVICE MEETS IEEE C62.41 2002 C HIGH 10kA See spec sheet on page J12.**

#### ORDERING FORMAT

MODEL # - LENS - LED MODEL # - VOLTAGE - IES DIST. - OPTIONS - FINISH  
 CARL - CL-ACR - 45W35C2K - UNIVERSAL - TYPE III - PC - BK

OPTIONS				FINISH	
<b>Lens</b> ACR-PRS=Acrylic Prismatic POLY-PRS=Polycarbonate Prismatic CL-TG=Clear Tempered Glass FR-TG=Frosted Tempered Glass CL-ACR=Clear Acrylic WH-ACR= White Acrylic FR-POLY=Frosted Polycarbonate CL-POLY=Clear Polycarbonate DP-32 ACR=Double Pattern FR-ACR=Frosted Acrylic SEED-ACR=Seeded Acrylic	<b>Optical</b> II III IV V CL=Clear Lens	<b>Electrical</b> PC=Photo Control Button FS=Fuse (single) FD=Fuse (double) Auto Sensing to 277V AC	<b>Mounting</b> SF=Slip Fitter (3") WM=Wall Mount TM=Top Mount	<b>Standard Colors</b> BK=Black BZ=Medium Bronze DBZ=Dark Bronze WH=White GR=Green SM=Silver Metallic	<b>Premium Colors</b> VP=Verde Patina PP=Pewter Patina SS=Silver Sparkle CC=Custom color HG= Hartford Green TBK=Textured Black
All arrays are "Full Cut-off"				IP Rating: IP65	

LED Engine by **SANSI**

## CARLSBAD PEDESTRIAN RADIANT™ (Medium Size) SINGLE & ARRAY LED SYSTEMS



Shown (above):  
Seeded panels PC / GR finish.

This graceful and well proportioned fixture combines both good looks with superior construction. Made of cast aluminum, the upper chamber also contains a cast cap and finial. Attachment to the center chamber, which contains six panels, either acrylic or polycarbonate, in clear, is done by a locking mechanism for easy lamp servicing.

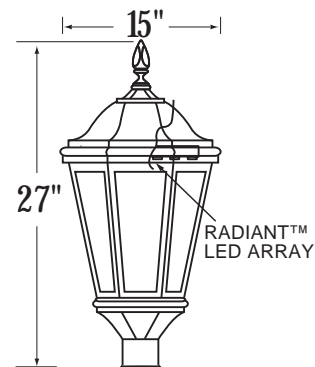
See options below. The fixture is fin-

EPA: 2.7 Weight: 40 lbs  
5 Year Limited Warranty on LED System  
ETL Listed To UL1598 Standards For Wet Locations

ished in polyester powder, baked and cured, and sealed for weathertight operation. For post top mounting, fixture slip fits a tenon or pole top.

The Carlsbad can also be pendant mounted or wall mounted. These types of light distribution, IES Type II, III, IV and V, are available to meet varying conditions and design requirements and are "full cut-off". The direction of distribution is controlled by a simple field adjustment (rotation) of the entire fixture.

Separate surge protectors in addition to all drivers, are installed in the circuitry as a company standard.



Shown (left):  
Carlsbad LED  
Pedestrian luminaire.

### LED LIGHT ENGINE SPECIFICATIONS:

MODEL#	WATTAGE	INITIAL LUMENS	SYSTEM EFFICACY	CCT	CRI	IES DISTRIBUTIONS
SINGLE MODULE LED SYSTEM						
8W-850LM	9	850	97	2.7K, 3.0K, 3.5K, 4.0K	90	Type V
12W-1250LM	13	1250	97	2.7K, 3.0K, 3.5K, 4.0K	90	Type V
19W-2000LM	21	2000	97	2.7K, 3.0K, 3.5K, 4.0K	90	Type V
32W-3000LM	31	3000	97	2.7K, 3.0K, 3.5K, 4.0K	90	Type V
37W-4000LM	37	4000	108	2.7K, 3.0K, 3.5K, 4.0K	90	Type V
71W-6000LM	71	6000	85	3.0K, 3.5K, 4.0K	90	Type V
Note: The lumen values remain the same regardless of CCT.						
RADIANT™ LED ARRAYS SYSTEM INITIAL LUMENS BASED ON 219B CHIPS						
40W35C5K	40	4720	118	5K	65	Type II, III, IV, V
45W35C5K	46	5290	115	5K	65	Type II, III, IV, V
40W35C4K	40	4480	112	4.3K	65	Type II, III, IV, V
45W35C4K	46	5014	109	4.3K	65	Type II, III, IV, V
40W35C3K	40	3480	87	3.5K	80	Type II, III, IV, V
45W35C3K	46	3910	85	3.5K	80	Type II, III, IV, V
45W35C2K	46	3680	80	2.7K	80	Type II, III, IV, V

Only available in Type V

**SURGE PROTECTION DEVICE MEETS IEEE C62.41 2002 C HIGH 10kA See spec sheet on page J12.**

#### ORDERING FORMAT

MODEL # - LENS - LED MODEL # - VOLTAGE - IES DIST. - OPTIONS - FINISH  
 CARL-MED FR-ACR 45W35C2K UNIVERSAL TYPE III PC BK

OPTIONS				FINISH	
<b>Lens</b> ACR-PRS=Acrylic Prismatic POLY-PRS=Polycarbonate Prismatic CL-TG=Clear Tempered Glass FR-TG=Frosted Tempered Glass CL-ACR=Clear Acrylic WH-ACR= White Acrylic FR-POLY=Frosted Polycarbonate CL-POLY=Clear Polycarbonate DP-32 ACR=Double Pattern FR-ACR=Frosted Acrylic SEED-ACR=Seeded Acrylic	<b>Optical</b> II III IV V CL=Clear Lens	<b>Electrical</b> PC=Photo Control Button FS=Fuse (single) FD=Fuse (double) Auto Sensing to 277V AC	<b>Mounting</b> SF=Slip Fitter (3")	<b>Standard Colors</b> BK=Black BZ=Medium Bronze DBZ=Dark Bronze WH=White GR=Green SM=Silver Metallic	<b>Premium Colors</b> VP=Verde Patina PP=Pewter Patina SS=Silver Sparkle CC=Custom color HG= Hartford Green TBK=Textured Black

All arrays are "Full Cut-off"

IP Rating: IP65

LED Engine by **SANSI**

## CARLSBAD PEDESTRIAN RADIANT™ (Small Size) SINGLE & ARRAY LED SYSTEMS



Shown (above):  
Seeded panels PC.

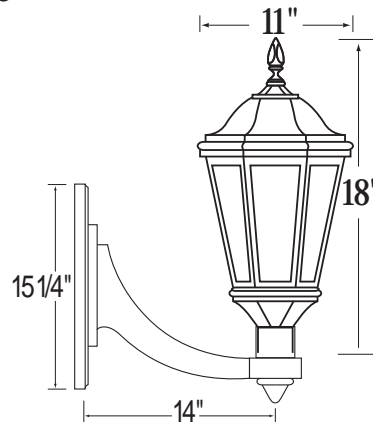
This graceful and well proportioned fixture combines both good looks with superior construction. Made of cast aluminum, the upper chamber also contains a cast cap and finial. Attachment to the center chamber, which contains six panels, either acrylic or polycarbonate, in clear, is done by a locking mechanism for easy lamp servicing.

See options below. The fixture is finished in polyester powder, baked and cured, and sealed for weathertight operation. For post top mounting, fixture slip fits a tenon or pole top.

The Carlsbad can also be pendant mounted or wall mounted. These types of light distribution, IES Type II, III, IV and V, are available to meet varying conditions and design requirements and are "full cut-off". The direction of distribution is controlled by a simple field adjustment (rotation) of the entire fixture.

Separate surge protectors in addition to all drivers, are installed in the circuitry as a company standard.

EPA: 2.7 Weight: 40 lbs  
5 Year Limited Warranty on LED System  
ETL Listed To UL1598 Standards For Wet Locations



Shown (left):  
Carlsbad LED Small  
Pedestrian luminaire.

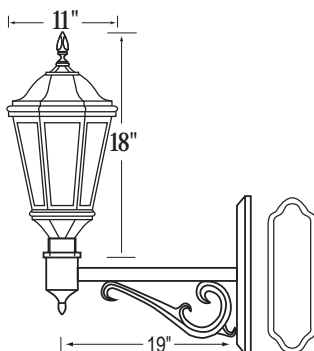
### LED LIGHT ENGINE SPECIFICATIONS:

MODEL#	WATTAGE	INITIAL LUMENS	SYSTEM EFFICACY	CCT	CRI	IES DISTRIBUTIONS
SINGLE MODULE LED SYSTEM						
8W-850LM	9	850	97	2.7K, 3.0K, 3.5K, 4.0K	90	Type V
12W-1250LM	13	1250	97	2.7K, 3.0K, 3.5K, 4.0K	90	Type V
19W-2000LM	21	2000	97	2.7K, 3.0K, 3.5K, 4.0K	90	Type V
32W-3000LM	31	3000	97	2.7K, 3.0K, 3.5K, 4.0K	90	Type V
37W-4000LM	37	4000	108	2.7K, 3.0K, 3.5K, 4.0K	90	Type V

Only available in Type V

Note: The lumen values remain the same regardless of CCT.

SURGE PROTECTION DEVICE MEETS IEEE C62.41 2002 C HIGH 10kA See spec sheet on page J12.



Shown (left):  
Carlsbad LED Small  
Pedestrian luminaire.

#### ORDERING FORMAT

MODEL # - LENS - LED MODEL # - VOLTAGE - IES DIST. - OPTIONS - FINISH  
CARL-SML FR-ACR 45W35C2K UNIVERSAL TYPE III PC BK

OPTIONS				FINISH	
<b>Lens</b> ACR-PRS=Acrylic Prismatic POLY-PRS=Polycarbonate Prismatic CL-TG=Clear Tempered Glass FR-TG=Frosted Tempered Glass CL-ACR=Clear Acrylic WH-ACR= White Acrylic FR-POLY=Frosted Polycarbonate CL-POLY=Clear Polycarbonate DP-32 ACR=Double Pattern FR-ACR=Frosted Acrylic SEED-ACR=Seeded Acrylic	<b>Optical</b> II III IV V CL=Clear Lens	<b>Electrical</b> PC=Photo Control Button FS=Fuse (single) FD=Fuse (double) Auto Sensing to 277V AC	<b>Mounting</b> SF=Slip Fitter (3") WM=Wall Mount* *Wall Mount Only	<b>Standard Colors</b> BK=Black BZ=Medium Bronze DBZ=Dark Bronze WH=White GR=Green SM=Silver Metallic	<b>Premium Colors</b> VP=Verde Patina PP=Pewter Patina SS=Silver Sparkle CC=Custom color HG= Hartford Green TBK=Textured Black

All arrays are "Full Cut-off"

IP Rating: IP65