

HOLLAND RADIANT™



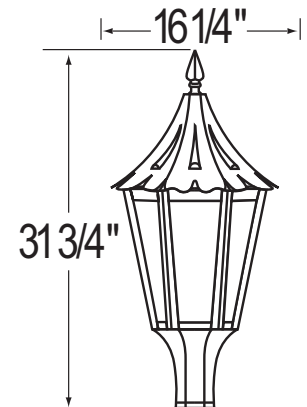
Proportion, aesthetics and detailing have been incorporated in a luminaire of outstanding traditional design and authentic appearance that is eminently suitable for many applications. In this Dutch-Style luminaire, Pemco engineering provides top quality and specification-type construction.

These types of light distribution, IES Type II, III, IV and V, are available to

EPA: 1.8 Weight: 38 lbs
5 Year Limited Warranty on LED System
ETL Listed To UL1598 Standards For Wet Locations

meet varying conditions and design requirements and are "full cut-off". The direction of distribution is controlled by a simple field adjustment (rotation) of the entire fixture. Separate surge protectors in addition to all drivers, are installed in the circuitry as a company standard.

Post mounting heights of 8 to 14 feet and wall mounting for architectural applications are offered. The Holland luminaire will enhance any location.



Shown (left):
Holland
LED fixture.

Optional Wall Mount
Shown with LED Array.

LED LIGHT ENGINE SPECIFICATIONS:

INITIAL LUMENS BASED ON 219B CHIPS

MODEL#	WATTAGE	INITIAL LUMENS	SYSTEM EFFICACY	CCT	CRI	IES DISTRIBUTIONS
40W35C5K	40	4720	118	5K	65	Type II, III, IV, V
45W35C5K	46	5290	115	5K	65	Type II, III, IV, V
70W60C5K	70	8260	118	5K	65	Type II, III, IV, V
80W60C5K	80	9200	115	5K	65	Type II, III, IV, V
40W35C4K	40	4480	112	4.3K	65	Type II, III, IV, V
45W35C4K	46	5014	109	4.3K	65	Type II, III, IV, V
70W60C4K	70	7840	112	4.3K	65	Type II, III, IV, V
80W60C4K	80	8720	109	4.3K	65	Type II, III, IV, V
40W35C3K	40	3480	87	3.5K	80	Type II, III, IV, V
45W35C3K	46	3910	85	3.5K	80	Type II, III, IV, V
70W60C3K	70	6090	87	3.5K	80	Type II, III, IV, V
80W60C3K	80	6800	85	3.5K	80	Type II, III, IV, V
45W35C2K	46	3680	80	2.7K	80	Type II, III, IV, V
80W60C2K	80	6400	80	2.7K	80	Type II, III, IV, V

SURGE PROTECTION DEVICE MEETS IEEE C62.41 2002 C HIGH 10kA See spec sheet on page J12.

ORDERING FORMAT

MODEL # - LENS - LED MODEL # - VOLTAGE - IES DIST. - OPTIONS - FINISH
HOL CL-ACR 45W35C2K UNIVERSAL TYPE III PC BK

OPTIONS

Lens

ACR-PRS=Acrylic Prismatic
POLY-PRS=Polycarbonate Prismatic
CL-TG=Clear Tempered Glass
FR-TG=Frosted Tempered Glass
CL-ACR=Clear Acrylic
WH-ACR= White Acrylic
FR-POLY=Frosted Polycarbonate
CL-POLY=Clear Polycarbonate
DP-32 ACR=Double Pattern
FR-ACR=Frosted Acrylic

Optical

II
III
IV
V
CL=Clear Lens

Electrical

PC=Photo Control Button
FS=Fuse (single)
FD=Fuse (double)
Auto Sensing to 277V AC

Mounting

SF=Slip Fitter (3")
WM=Wall Mount
TM=Top Mount

All arrays are "Full Cut-off"

IP Rating: IP65

FINISH

Standard Colors

BK=Black
BZ=Medium Bronze
DBZ=Dark Bronze
WH=White
GR=Green
SM=Silver Metallic

Premium Colors

VP=Verde Patina
PP=Pewter Patina
SS=Silver Sparkle
CC=Custom color
HG= Hartford Green
TBK=Textured Black

LED Engine by **SANSI**