

FLORENCE Prismatic Opti-FLUX™

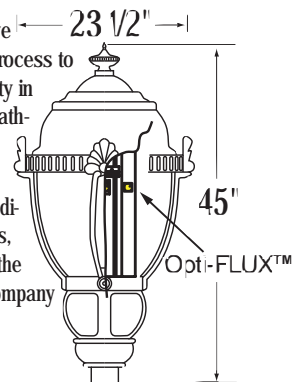


The Florence luminaire offers an authentic old world look with the modern conveniences of street lighting techniques today. The entire housing is constructed of cast aluminum, and features a hinged top for access into the lamp compartment. This compartment is sealed with a silicone gasket to prevent contamination by moisture, dust, and other collective debris.

EPA: 2.5 Weight: 38 lbs
5 Year Limited Warranty on LED System
ETL Listed To UL1598 Standards For Wet Locations

These types of light distribution, IES Type II, III, IV and V, are available to meet varying conditions and design requirements. The direction of distribution is controlled by a simple field adjustment (rotation) of the entire fixture. The ballast assembly is accessed by simply loosening three stainless steel screws, and then removing the ballast module. The lens is available in both acrylic and polycarbonate, in clear. All of the electrical components within the Florence fixture are U.L. recognized and listed. The luminaire is finished with an electro-statically applied polyester

powder following an extensive pretreatment process to ensure durability in all possible weather conditions. Separate surge protectors in addition to all drivers, are installed in the circuitry as a company standard.



Shown (left): Florence luminaire on decorative fluted aluminum pole with decorative cast aluminum base, PLB-612.

LED LIGHT ENGINE SPECIFICATIONS: PRISMATIC OPTI-FLUX™ INITIAL LUMENS BASED ON UBIN CHIPS

MODEL#	WATTAGE	INITIAL LUMENS	SYSTEM EFFICACY	CCT	CRI	IES DISTRIBUTIONS
31W4C5K	31	4320	115	5K	70	Type II, III, IV, V
39W5C5K	39	5400	115	5K	70	Type II, III, IV, V
47W6C5K	47	6480	115	5K	70	Type II, III, IV, V
55W7C5K	55	7560	115	5K	70	Type II, III, IV, V
63W8C5K	63	8640	115	5K	70	Type II, III, IV, V
70W9C5K	70	9720	115	5K	70	Type II, III, IV, V
78W10C5K	78	10800	115	5K	70	Type II, III, IV, V
86W11C5K	86	11880	115	5K	70	Type II, III, IV, V
94W12C5K	94	12960	115	5K	70	Type II, III, IV, V
31W4C4K	31	3736	110	4K	70	Type II, III, IV, V
39W5C4K	39	4670	110	4K	70	Type II, III, IV, V
47W6C4K	47	5604	110	4K	70	Type II, III, IV, V
55W7C4K	55	6538	110	4K	70	Type II, III, IV, V
63W8C4K	63	7442	110	4K	70	Type II, III, IV, V
70W9C4K	70	8376	110	4K	70	Type II, III, IV, V
78W10C4K	78	9310	110	4K	70	Type II, III, IV, V
86W11C4K	86	10244	110	4K	70	Type II, III, IV, V
94W12C4K	94	11178	110	4K	70	Type II, III, IV, V
31W4C3K	31	3390	99	3K	70	Type II, III, IV, V
39W5C3K	39	4220	99	3K	70	Type II, III, IV, V
47W6C3K	47	5050	98	3K	70	Type II, III, IV, V
55W7C3K	55	5880	98	3K	70	Type II, III, IV, V
63W8C3K	63	6710	98	3K	70	Type II, III, IV, V
70W9C3K	70	7540	98	3K	70	Type II, III, IV, V
78W10C3K	78	8370	98	3K	70	Type II, III, IV, V
86W11C3K	86	9200	98	3K	70	Type II, III, IV, V
94W12C3K	94	10030	98	3K	70	Type II, III, IV, V

ORDERING FORMAT SURGE PROTECTION DEVICE MEETS IEEE C62.41 2002 C HIGH 10kA See spec sheet on page J12.

MODEL # - LENS - LED MODEL # - VOLTAGE - IES DIST. - OPTIONS - FINISH
 FLOR ACRYLIC PRISMATIC 86W11C3K UNIVERSAL TYPE III PC BK

OPTIONS				FINISH		
Lens Acrylic; III, V Polycarb; III, V CL-ACR=Clear Acrylic FR-ACR=Frosted Acrylic ACR-PRS=Acrylic Prismatic POLY-PRS=Polycarbonate Prismatic Moon Glow Acrylic	Optical II III IV V CL=Clear Lens	Electrical PC=Photo Control Button FS=Fuse (single) FD=Fuse (double) Auto Sensing to 277V AC	Mounting SF=Slip Fitter (3") PT=Post Top	Globes Prismatic Acr. [III / V] Clear Acrylic Frosted Acrylic Prismatic Poly. [III / V] Clear Polycarbonate Frosted Polycarbonate	Standard Colors BK=Black BZ=Medium Bronze DBZ=Dark Bronze WH=White GR=Green SM=Silver Metallic	Premium Colors VP=Verde Patina PP=Pewter Patina SS=Silver Sparkle CC=Custom color HG=Hartford Green TBK=Textured Black

FLORENCE RADIANT™

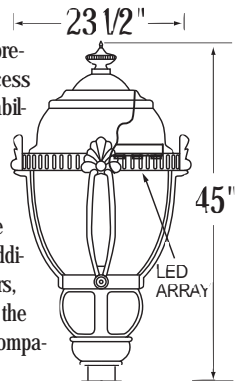


The Florence luminaire offers an authentic old world look with the modern conveniences of street lighting techniques today. The entire housing is constructed of cast aluminum, and features a hinged top for access into the lamp compartment. This compartment is sealed with a silicone gasket to prevent contamination by moisture, dust, and other collective debris.

EPA: 2.5 Weight: 38 lbs
5 Year Limited Warranty on LED System
ETL Listed To UL1598 Standards For Wet Locations

These types of light distribution, IES Type II, III, IV and V, are available to meet varying conditions and design requirements and are "full cut-off". The direction of distribution is controlled by a simple field adjustment (rotation) of the entire fixture. The ballast assembly is accessed by simply loosening three stainless steel screws, and then removing the ballast module. The lens is available in both acrylic and polycarbonate, in clear. All of the electrical components within the Florence fixture are U.L. recognized and listed. The luminaire is finished with an electro-statically applied

polyester powder following an extensive pre-treatment process to ensure durability in all possible weather conditions. Separate surge protectors in addition to all drivers, are installed in the circuitry as a company standard.



Shown (left): Florence luminaire on decorative fluted aluminum pole with decorative cast aluminum base, PLB-612.

LED LIGHT ENGINE SPECIFICATIONS:

INITIAL LUMENS BASED ON 219B CHIPS

MODEL#	WATTAGE	INITIAL LUMENS	SYSTEM EFFICACY	CCT	CRI	IES DISTRIBUTIONS
40W35C5K	40	4720	118	5K	65	Type II, III, IV, V
45W35C5K	46	5290	115	5K	65	Type II, III, IV, V
70W60C5K	70	8260	118	5K	65	Type II, III, IV, V
80W60C5K	80	9200	115	5K	65	Type II, III, IV, V
100W90C5K	103	11,900	118	5K	65	Type II, III, IV, V
120W90C5K	120	13,920	115	5K	65	Type II, III, IV, V
145W90C5K	145	16,965	117	5K	65	Type II, III, IV, V
40W35C4K	42	4480	112	4K	65	Type II, III, IV, V
45W35C4K	47	5014	109	4K	65	Type II, III, IV, V
70W60C4K	70	7840	112	4K	65	Type II, III, IV, V
80W60C4K	80	8720	109	4K	65	Type II, III, IV, V
100W90C4K	103	11,536	112	4K	65	Type II, III, IV, V
120W90C4K	120	13,080	109	4K	65	Type II, III, IV, V
145W90C4K	145	16,965	117	4K	65	Type II, III, IV, V
40W35C3K	40	3480	87	3.5K	80	Type II, III, IV, V
45W35C3K	46	3910	85	3.5K	80	Type II, III, IV, V
70W60C3K	70	6090	87	3.5K	80	Type II, III, IV, V
80W60C3K	80	6800	85	3.5K	80	Type II, III, IV, V
100W90C3K	103	8961	87	3.5K	80	Type II, III, IV, V
120W90C3K	120	10,200	85	3.5K	80	Type II, III, IV, V
145W90C3K	145	14,065	97	3.5K	80	Type II, III, IV, V
45W35C2K	46	3680	80	2.7K	80	Type II, III, IV, V
80W60C2K	80	6400	80	2.7K	80	Type II, III, IV, V
120W90C2K	120	9600	80	2.7K	80	Type II, III, IV, V
145W90C2K	145	12,615	87	2.7K	80	Type II, III, IV, V

ORDERING FORMAT SURGE PROTECTION DEVICE MEETS IEEE C62.41 2002 C HIGH 10kA See spec sheet on page J12.

MODEL # - LENS - LED MODEL # - VOLTAGE - IES DIST. - OPTIONS - FINISH
 FLOR CL-ACR 80W60C3K UNIVERSAL TYPE III PC BK

OPTIONS				FINISH		
Lens Acrylic; III, V Polycarb; III, V CL-ACR=Clear Acrylic FR-ACR=Frosted Acrylic ACR-PRS=Acrylic Prismatic POLY-PRS=Polycarbonate Prismatic Moon Glow Acrylic	Optical II III IV V CL=Clear Lens	Electrical PC=Photo Control Button FS=Fuse (single) FD=Fuse (double) Auto Sensing to 277V AC	Mounting SF=Slip Fitter (3") PT=Post Top	Globes Prismatic Acr. [III / V] Clear Acrylic Frosted Acrylic Prismatic Poly. [III / V] Clear Polycarbonate Frosted Polycarbonate	Standard Colors BK=Black BZ=Medium Bronze DBZ=Dark Bronze WH=White GR=Green SM=Silver Metallic	Premium Colors VP=Verde Patina PP=Pewter Patina SS=Silver Sparkle CC=Custom color HG= Hartford Green TBK=Textured Black

All arrays are "Full Cut-off"

IP Rating: IP65

LED Engine by SANSI