

## CAPE MAY POST TOP RADIANT™



This fixture, with its aluminum spinnings and decorative guard, is reminiscent of nautical fixtures often seen near the shoreline in their day. With several distinct mounting options and additional styles, this luminaire is sure to create a pleasing atmosphere in almost any location.

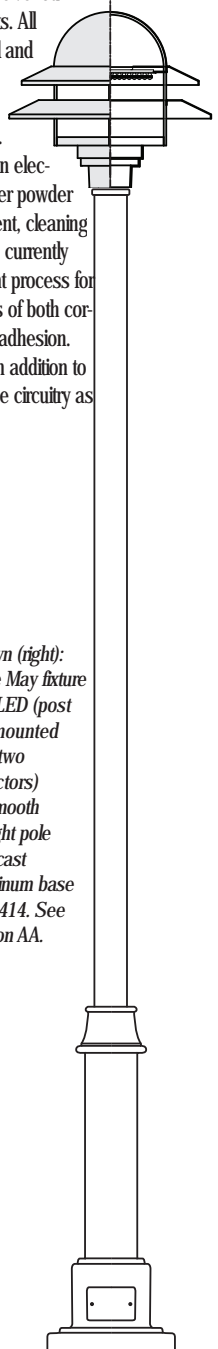
This fixture is constructed without a lens and has a spun aluminum dome top. Its housing is made of cast aluminum and is designed to provide full cut-off optics with "night sky"

EPA: 2.2 Weight: 37 lbs  
5 Year Limited Warranty on LED System  
ETL Listed To UL1598 Standards For Wet Locations

compliance. The reflectors are spun, heavy gauge aluminum, mounted to a formed aluminum guard. These types of light distribution, IES Type II, III, IV and V, are available to meet varying conditions and design requirements and are "full cut-off". The ballast for this specific fixture is housed safely in a protective cast aluminum housing chamber, allowing for quick and simple removal if the need of ballast maintenance or servicing arises. The LED array and driver are IP65 rated.

The shaft is extruded tapered or straight smooth aluminum body, made of 6061-T6 alloy, and welded to a fluted decorative cast

aluminum base ready to receive four galvanized steel anchor bolts. All fasteners are stainless steel and vandal resistant. A servicing handhole and removable cover are standard features. The fixture is finished with an electro-statically applied polyester powder over a five-stage pretreatment, cleaning and sealing process. This is currently the best known pretreatment process for aluminum materials in terms of both corrosion resistance and paint adhesion. Separate surge protectors in addition to all drivers, are installed in the circuitry as a company standard.



Shown (right): Cape May fixture with LED (post top mounted with two reflectors) on smooth straight pole with cast aluminum base PLB-414. See section AA.

### LED LIGHT ENGINE SPECIFICATIONS:

INITIAL LUMENS BASED ON 219B CHIPS

MODEL#	WATTAGE	INITIAL LUMENS	SYSTEM EFFICACY	CCT	CRI	IES DISTRIBUTIONS
40W35C5K	40	4720	118	5K	65	Type II, III, IV, V
45W35C5K	46	5290	115	5K	65	Type II, III, IV, V
70W60C5K	70	8260	118	5K	65	Type II, III, IV, V
80W60C5K	80	9200	115	5K	65	Type II, III, IV, V
100W90C5K	103	11,900	118	5K	65	Type II, III, IV, V
120W90C5K	120	13,920	115	5K	65	Type II, III, IV, V
*145W90C5K	145	16,965	117	5K	65	Type II, III, IV, V
40W35C4K	42	4480	112	4K	65	Type II, III, IV, V
45W35C4K	47	5014	109	4K	65	Type II, III, IV, V
70W60C4K	70	7840	112	4K	65	Type II, III, IV, V
80W60C4K	80	8720	109	4K	65	Type II, III, IV, V
100W90C4K	103	11,536	112	4K	65	Type II, III, IV, V
120W90C4K	120	13,080	109	4K	65	Type II, III, IV, V
*145W90C4K	145	16,965	117	4K	65	Type II, III, IV, V
40W35C3K	40	3480	87	3.5K	80	Type II, III, IV, V
45W35C3K	46	3910	85	3.5K	80	Type II, III, IV, V
70W60C3K	70	6090	87	3.5K	80	Type II, III, IV, V
80W60C3K	80	6800	85	3.5K	80	Type II, III, IV, V
100W90C3K	103	8961	87	3.5K	80	Type II, III, IV, V
120W90C3K	120	10,200	85	3.5K	80	Type II, III, IV, V
*145W90C3K	145	14,065	97	3.5K	80	Type II, III, IV, V
45W35C2K	46	3680	80	2.7K	80	Type II, III, IV, V
80W60C2K	80	6400	80	2.7K	80	Type II, III, IV, V
120W90C2K	120	9600	80	2.7K	80	Type II, III, IV, V
*145W90C2K	145	12,615	87	2.7K	80	Type II, III, IV, V

#### ORDERING FORMAT

SURGE PROTECTION DEVICE MEETS IEEE C62.41 2002 C HIGH 10kA See spec sheet on page J12.

MODEL # - LENS - LED MODEL # - VOLTAGE - IES DIST. - OPTIONS - FINISH

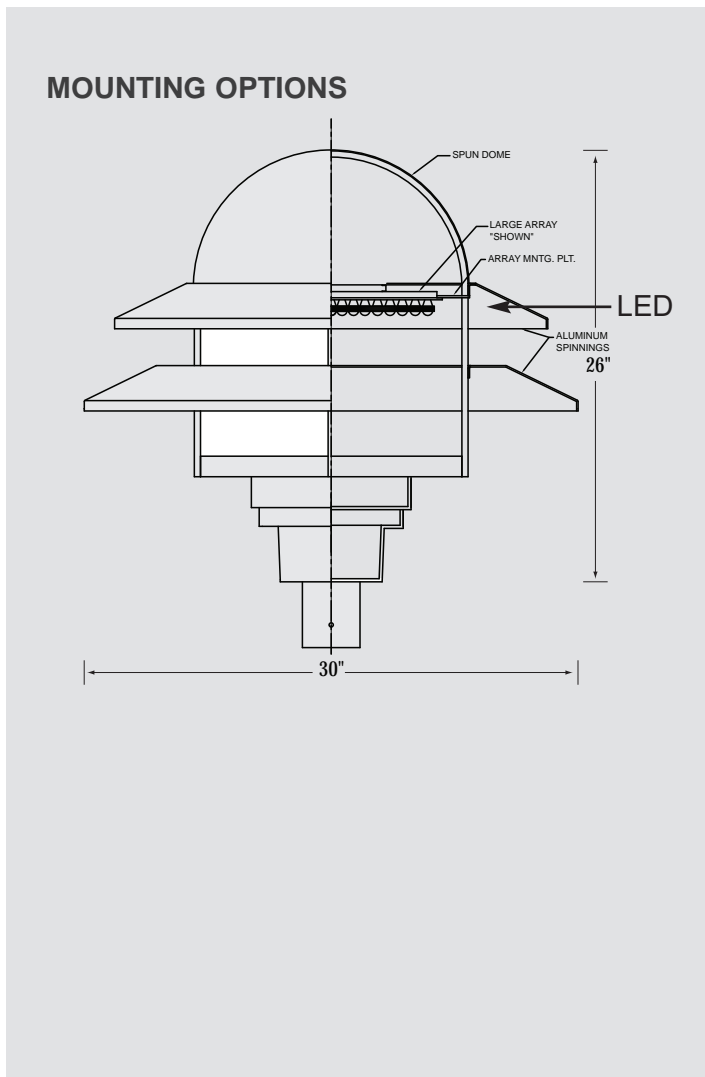
CAPE CL-ACR 80W60C5K UNIVERSAL TYPE III PC BK

#### OPTIONS

#### FINISH (HOUSING & REFLECTOR)

<b>Lens</b> CL-ACR=Clear Acrylic FR-ACR=Frosted Acrylic *NL= No Lens - Supplied With No Lens	<b>Optical</b> LED Optical Lens (Mounted on LED) II III IV V LED Optics built into array: specify	<b>Electrical</b> PC=Photo Control Button FS=Fuse, single FD=Fuse, double Auto Sensing to 277V AC	<b>Mounting</b> SF=Slip Fitter (3") WM=Wall Mount PM=Pendant Mount* PM-2=Pendant* Mount-2 Reflectors PM-1=Pendant* Mount-1 Reflector PT=Post Top PT1=Single Ring (Suggested for LED)	<b>Standard Colors</b> BK=Black BZ=Medium Bronze DBZ=Dark Bronze WH=White GR=Green SM=Silver Metallic	<b>Premium Colors</b> VP=Verde Patina PP=Pewter Patina SS=Silver Sparkle CC=Custom color
---	---	---	---	---	--

All arrays are "Full Cut-off" IP Rating: IP65 \*See Pendant Mount Cape May Utility Page



PT2  
Frosted Lens (left)