

BOCA I Prismatic Opti-FLUX™



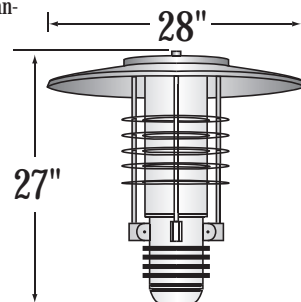
The highly engineered, specification-grade Boca fixture combines style and quality into an extremely bold luminaire. The housing bottom is heavy cast aluminum, supporting solid aluminum support struts. The top is sealed with a top-casting (and optional shade) held down by threaded tool-less hand buttons. These types of light distribution, IES

EPA: 2.2 (BOCA I), EPA: 2.1 (BOCA II)
WEIGHT: 40 lbs (max.)
5 Year Limited Warranty on LED System
ETL Listed To UL1598 Standards For Wet Locations

Type III and V, are available to meet varying conditions and design requirements. The direction of distribution is controlled by a simple field adjustment (rotation) of the entire fixture.

The fixture is finished with an electro-statically applied polyester powder following an extensive pretreatment process. All hardware is constructed of stainless steel. The Boca fixture is also available with a solid band to reduce lamp glare, or full rings from top to bottom over the lens of the fixture. It is also available without the top spun cover (specify). Separate surge protectors in addition to

all drivers, are installed in the circuitry as a company standard.



Shown (left): Boca I fixture with LED mounted on smooth, straight pole with PLB-414 base.

LED LIGHT ENGINE SELECTION: PRISMATIC OPTI-FLUX™ TYPE V ONLY

| MODEL# | WATTAGE | INITIAL LUMENS | SYSTEM EFFICACY | CCT | CRI | IES DISTRIBUTIONS |
|---------|---------|----------------|-----------------|-----|-----|-------------------|
| 47W6C5K | 47 | 6480 | 137.8 | 5K | 70 | Type V |
| 47W6C4K | 47 | 5604 | 119.2 | 4K | 70 | Type V |
| 47W6C3K | 47 | 4980 | 105.9 | 3K | 70 | Type V |

SURGE PROTECTION DEVICE MEETS IEEE C62.41 2002 C HIGH 10kA See spec sheet on page J12.

ORDERING FORMAT

MODEL # - LENS - LED MODEL # - VOLTAGE - IES DIST. - OPTIONS - FINISH
BOCA I - FR-ACR - 24W3C5K - UNIVERSAL - TYPE V - PC - BK

| OPTIONS | | | | FINISH | |
|--|---|---|---|--|---|
| Lens CL-ACR=Clear Acrylic FR-ACR=Frosted Acrylic | Optical LED Optical Lens Type III Type V AG=Anti-glare Band FR=Full Rings ILC=Indirect Lighting Cone SP=Spun Reflector ARC=Aluminum Arc Frame | Electrical PC=Photo Control Button FS=Fuse, single FD=Fuse, double | Mounting SF=Slip Fitter (3") WM=Wall Mount TM=Top Mount PT=Post Top | Standard Colors BK=Black BZ=Medium Bronze DBZ=Dark Bronze WH=White GR=Green SM=Silver Metallic | Premium Colors VP=Verde Patina PP=Pewter Patina SS=Silver Sparkle CC=Custom color |

BOCA I LED



The highly engineered, specification-grade Boca fixture combines style and quality into an extremely bold luminaire. The housing bottom is heavy cast aluminum, supporting solid aluminum support struts. The top is sealed with a top-casting (and optional shade) held down by threaded tool-less hand buttons.

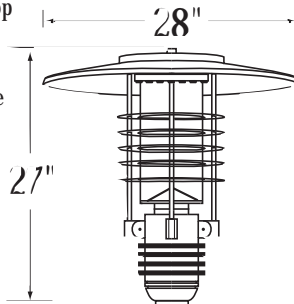
EPA: 2.2 (BOCA I), EPA: 2.1 (BOCA II)
WEIGHT: 40 lbs (max.)
5 Year Limited Warranty on LED System
ETL Listed To UL1598 Standards For Wet Locations

These types of light distribution, IES Type III and V, are available to meet varying conditions and design requirements and are "full cut-off". The direction of distribution is controlled by a simple field adjustment (rotation) of the entire fixture.

The fixture is finished with an electro-statically applied polyester powder following an extensive pretreatment process. All hardware is constructed of stainless steel. The Boca fixture is also available with a solid band to reduce lamp glare, or full rings from top to bottom over the lens of the fixture. It is also available



without the top spun cover (specify). Separate surge protectors in addition to all drivers, are installed in the circuitry as a company standard.



Shown (right): Boca I fixture with LED mounted on smooth, straight pole with PLB-414 base.

LED LIGHT ENGINE SPECIFICATIONS:

| MODEL# | WATTAGE | INITIAL LUMENS | SYSTEM EFFICACY | CCT | CRI | IES DISTRIBUTIONS |
|--|---------|----------------|-----------------|------------------------------------|-----|---------------------|
| Frosted Lens Only | | | | | | |
| SINGLE MODULE LED SYSTEM | | | | | | |
| 8W-850LM | 9 | 850 | 97 | 2.7K, 3.0K, 3.5K, 4.0K | 90 | Type III & V |
| 12W-1250LM | 13 | 1250 | 97 | 2.7K, 3.0K, 3.5K, 4.0K | 90 | Type III & V |
| 19W-2000LM | 21 | 2000 | 97 | 2.7K, 3.0K, 3.5K, 4.0K | 90 | Type III & V |
| 32W-3000LM | 31 | 3000 | 97 | 2.7K, 3.0K, 3.5K, 4.0K | 90 | Type III & V |
| 37W-4000LM | 37 | 4000 | 108 | 2.7K, 3.0K, 3.5K, 4.0K | 90 | Type III & V |
| 71W-6000LM | 71 | 6000 | 85 | 3.0K, 3.5K, 4.0K | 90 | Type III & V |
| Note: The lumen values remain the same regardless of CCT. | | | | | | |
| Without Lens Only | | | | | | |
| LED ARRAYS SYSTEM | | | | INITIAL LUMENS BASED ON 219B CHIPS | | |
| 40W35C5K | 40 | 4720 | 118 | 5K | 65 | Type II, III, IV, V |
| 45W35C5K | 46 | 5290 | 115 | 5K | 65 | Type II, III, IV, V |
| 45W35C4K | 46 | 5014 | 109 | 4.3K | 65 | Type II, III, IV, V |
| 40W35C3K | 40 | 3480 | 87 | 3.5K | 80 | Type II, III, IV, V |
| 45W35C3K | 46 | 3910 | 85 | 3.5K | 80 | |
| 45W35C2K | 46 | 3680 | 80 | 2.7K | 80 | Type II, III, IV, V |

ORDERING FORMAT SURGE PROTECTION DEVICE MEETS IEEE C62.41 2002 C HIGH 10kA See spec sheet on page J12.

MODEL # - LENS - LED MODEL # - VOLTAGE - IES DIST. - OPTIONS - FINISH
BOCA I CL-ACR 12W-1250LM UNIVERSAL TYPE V PC BK

| OPTIONS | | | | FINISH | |
|---|--|--|--|---|--|
| Lens CL-ACR=Clear Acrylic FR-ACR=Frosted Acrylic | Optical LED Optical Lens Type III Type V AG=Anti-glare Band FR=Full Rings ILC=Indirect Lighting Cone SP=Spun Reflector ARC=Aluminum Arc Frame | Electrical PC=Photo Control Button FS=Fuse, single FD=Fuse, double | Mounting SF=Slip Fitter (3") WM=Wall Mount TM=Top Mount PT=Post Top | Standard Colors BK=Black BZ=Medium Bronze DBZ=Dark Bronze WH=White GR=Green SM=Silver Metallic | Premium Colors VP=Verde Patina PP=Pewter Patina SS=Silver Sparkle CC=Custom color |

All arrays are "Full Cut-off"

IP Rating: IP65

LED Engine by **SANSI**

BOCA II LED



EPA: 2.2 (BOCA I), EPA: 2.1 (BOCA II)
 WEIGHT: 40 lbs (max.)
 5 Year Limited Warranty on LED System ETL
 Listed To UL1598 Standards For Wet Locations

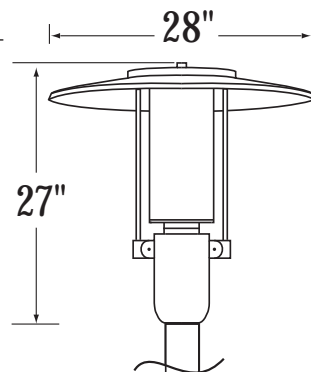
The highly engineered, specification-grade Boca fixture combines style and quality into an extremely bold luminaire. The housing bottom is heavy cast aluminum, supporting solid aluminum support struts. The top is sealed with a top-casting (and optional shade) held down by threaded tool-less hand buttons. The unique appeal of Pemco's Boca II fixture is created by removing the rings, both cast and decorative, as well as two of the aluminum struts from the original Boca design. This slight modification gives the Boca II a sleek look, while still retaining the trusted strength and durability of the original luminaire.

These types of light distribution, IES Type III and V, are available to meet varying conditions and design requirements and are "full cut-off". The direction of distribution is controlled by a simple field adjustment (rotation) of the entire fixture.

The fixture is finished with an electrostatically applied polyester powder following an extensive pretreatment process. All hardware is constructed of stainless steel. The Boca II fixture is also available with a solid band to reduce lamp glare, or full rings from top to bottom over the lens of the fixture. It is also available without the top spun cover (specify).



Separate surge protectors in addition to all drivers, are installed in the circuitry as a company standard.



Shown (right): Boca II fixture with LED mounted on smooth, straight pole with PLB-414 base.

LED LIGHT ENGINE SPECIFICATIONS:

| MODEL# | WATTAGE | INITIAL LUMENS | SYSTEM EFFICACY | CCT | CRI | IES DISTRIBUTIONS |
|--|---------|----------------|------------------------------------|------------------------|-----|---------------------|
| Frosted Lens Only | | | | | | |
| SINGLE MODULE LED SYSTEM | | | | | | |
| 8W-850LM | 9 | 850 | 97 | 2.7K, 3.0K, 3.5K, 4.0K | 90 | Type III & V |
| 12W-1250LM | 13 | 1250 | 97 | 2.7K, 3.0K, 3.5K, 4.0K | 90 | Type III & V |
| 19W-2000LM | 21 | 2000 | 97 | 2.7K, 3.0K, 3.5K, 4.0K | 90 | Type III & V |
| 32W-3000LM | 31 | 3000 | 97 | 2.7K, 3.0K, 3.5K, 4.0K | 90 | Type III & V |
| 37W-4000LM | 37 | 4000 | 108 | 2.7K, 3.0K, 3.5K, 4.0K | 90 | Type III & V |
| 71W-6000LM | 71 | 6000 | 85 | 3.0K, 3.5K, 4.0K | 90 | Type III & V |
| Note: The lumen values remain the same regardless of CCT. | | | | | | |
| Without Lens Only | | | | | | |
| LED ARRAYS SYSTEM | | | INITIAL LUMENS BASED ON 219B CHIPS | | | |
| 40W35C5K | 40 | 4720 | 118 | 5K | 65 | Type II, III, IV, V |
| 45W35C5K | 46 | 5290 | 115 | 5K | 65 | Type II, III, IV, V |
| 45W35C4K | 46 | 5014 | 109 | 4.3K | 65 | Type II, III, IV, V |
| 40W35C3K | 40 | 3480 | 87 | 3.5K | 80 | Type II, III, IV, V |
| 45W35C3K | 46 | 3910 | 85 | 3.5K | 80 | |
| 45W35C2K | 46 | 3680 | 80 | 2.7K | 80 | Type II, III, IV, V |

ORDERING FORMAT SURGE PROTECTION DEVICE MEETS IEEE C62.41 2002 C HIGH 10kA See spec sheet on page J12.

MODEL # - LENS - LED MODEL # - VOLTAGE - IES DIST. - OPTIONS - FINISH
 BOCA II CL-ACR 12W-1250LM UNIVERSAL TYPE V PC BK

| OPTIONS | | | | FINISH | |
|---|--|--|--|---|--|
| Lens CL-ACR=Clear Acrylic FR-ACR=Frosted Acrylic | Optical LED Optical Lens Type III Type V AG=Anti-glare Band FR=Full Rings ILC=Indirect Lighting Cone SP=Spun Reflector ARC=Aluminum Arc Frame | Electrical PC=Photo Control Button FS=Fuse, single FD=Fuse, double | Mounting SF=Slip Fitter (3") WM=Wall Mount TM=Top Mount PT=Post Top | Standard Colors BK=Black BZ=Medium Bronze DBZ=Dark Bronze WH=White GR=Green SM=Silver Metallic | Premium Colors VP=Verde Patina PP=Pewter Patina SS=Silver Sparkle CC=Custom color |

All arrays are "Full Cut-off"

IP Rating: IP65

LED Engine by **SANSI**

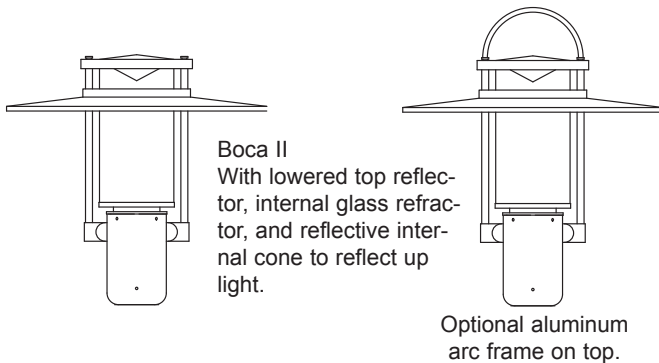
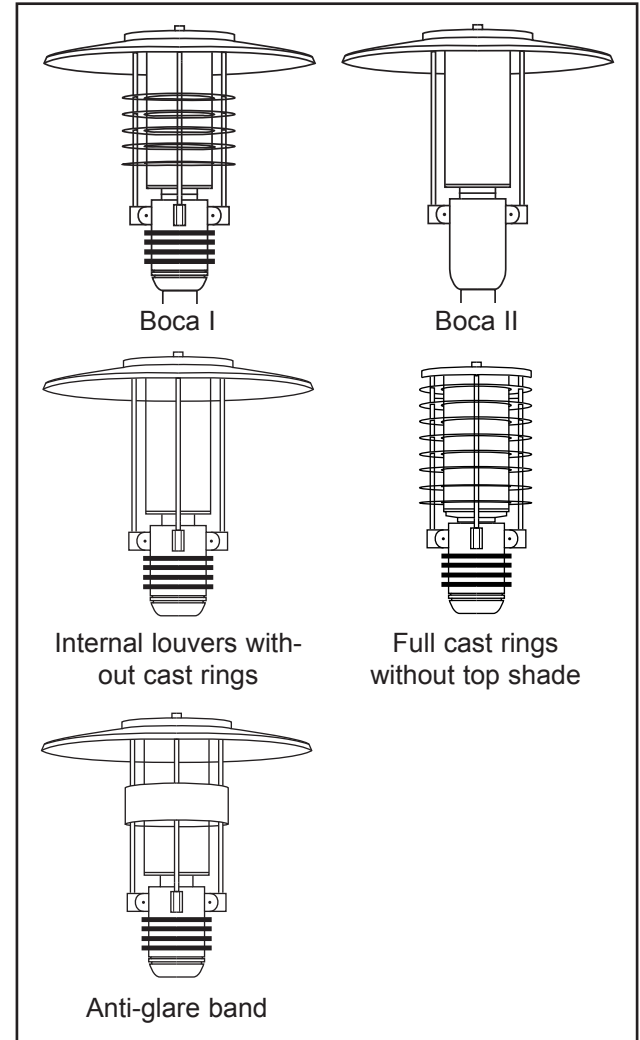
Traditions

Solid State Lighting

BOCA (I & II)



Mounting Options

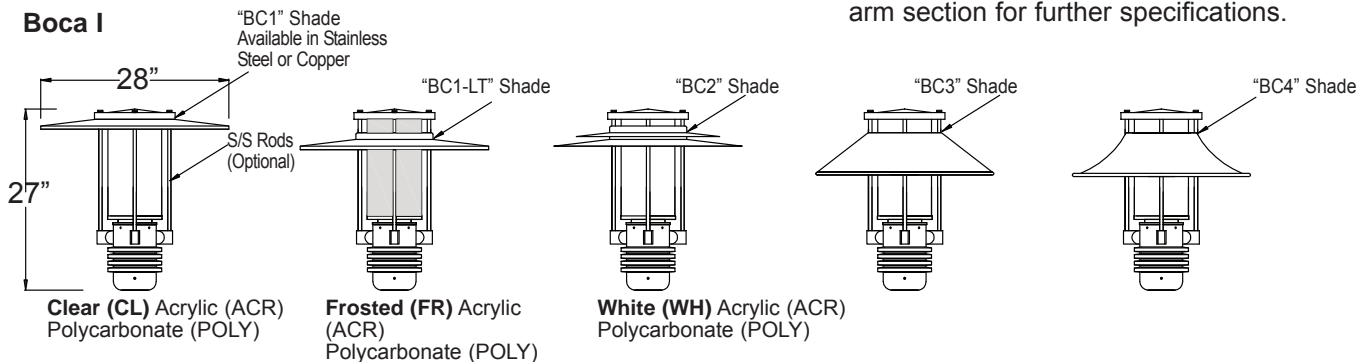


Boca II
With lowered top reflector, internal glass refractor, and reflective internal cone to reflect up light.

Optional aluminum arc frame on top.

Wall Mounting

The Boca series fixtures can be wall mounted using many different mounting options – see the catalog's arm section for further specifications.



ORDERING FORMAT

MODEL # - LENS - LED MODEL # - VOLTAGE - IES DIST. - OPTIONS - FINISH
BOCA I - FR-ACR - 55W5K - UNIVERSAL - TYPE V - PC - BK