

## JAMESTOWN RADIAL WAVE TOP ENTRY



### SINGLE MODULE LED Dark Skies Compliant



The Jamestown luminaire, an authentic American classic originally from the 1920's and 1930's, is now available with modern electrics. This redeveloped fixture is far superior to most of the new fixtures on the market today.

Fixture options include one piece cast aluminum NEMA head, optional photo control button, medium base lamp, and are available with side entry or top entry housings.

EPA: 0.90 Weight: 16 lbs  
5 Year Limited Warranty on LED System  
ETL Listed To UL1598 Standards For Wet Locations

The luminaire is held in place on the arm by means of a leveling device with a removable door, allowing for easy installation and/or replacement. The cast nema housing mounts into the leveling knuckle making installation very easy. A terminal block can be added for ease as well. The radial wave reflector mounts with bail latches for ease of removing and cleaning.

The new "radial wave" reflector within this fixture has deeper flutes, is corrosion resistant and has self-tensioning bail latches.

The finish is a polyester powder coating, electrostatically applied and thermocured over a five-stage chemical wash and pre-treatment process. Available in colors listed below. All RAL colors are available, contact factory for details. Separate surge protectors in addition to all drivers, are installed in the circuitry as a company standard.

### LED LIGHT ENGINE SPECIFICATIONS:

MODEL #	WATTAGE	INITIAL LUMENS	SYSTEM EFFICACY	CCT	CRI	IES DISTRIBUTIONS
SINGLE MODULE LED SYSTEM						
8W-850LM	9	850	97	2.7K, 3.0K, 3.5K, 4.0K	90	Type V
12W-1250LM	13	1250	97	2.7K, 3.0K, 3.5K, 4.0K	90	Type V
19W-2000LM	21	2000	97	2.7K, 3.0K, 3.5K, 4.0K	90	Type V
32W-3000LM	31	3000	97	2.7K, 3.0K, 3.5K, 4.0K	90	Type V
37W-4000LM	37	4000	108	2.7K, 3.0K, 3.5K, 4.0K	90	Type V

Note: The lumen values remain the same regardless of CCT.

**SURGE PROTECTION DEVICE MEETS IEEE C62.41 2002 C HIGH 10kA. See spec sheet on page J12.**

#### Dimming Options:

White Light Dimming - Provides consistent color across the entire dimming range.

#### FEATURES

- Available in 2700K, 3000K, 3500K and 4000K CCT
- ≥ 90 CRI for all CCTs
- Minimum 95 CRI available for 3500K at 3000 lm
- 5-year limited system warranty
- No UV in light output
- No mercury in light source
- A revolutionary way to generate white light with LEDs
- that delivers high efficiency with beautiful light characteristics and color accuracy while maintaining color consistency over the life of the product.
- Industry-leading efficacy of up to 108 lm/W, measured at a case temperature (Tc) of 55 °C at steady state.
- Known and predictable correlated color temperature (CCT).
- LM 70 of 35,000 - 50,000 hours, depending on the Tc.

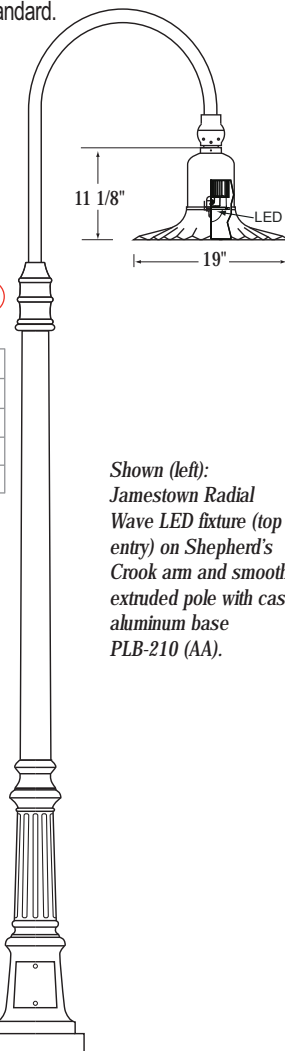
#### ORDERING FORMAT

MODEL # - LED MODEL # - VOLTAGE - IES DIST. - OPTIONS - FINISH  
**JAM-TE 8W-850LM UNIVERSAL TYPE V PC BK**

OPTIONS				FINISH (HOUSING)	
Options LG=Cast Aluminum Lens Guard	Optical LED Optical Lens Type V	Electrical PC=Photo Control Button FS=Fuse, single FD=Fuse, double Auto Sensing to 277V AC	Mounting TE=Top Entry SE=Side Entry MA: 4' Arm MA: 6' Arm  Scroll DEC=Decorative	Standard Colors BK=Black BZ=Medium Bronze DBZ=Dark Bronze WH=White GR=Green SM=Silver Metallic	Premium Colors VP=Verde Patina PP=Pewter Patina SS=Silver Sparkle CC=Custom color HG= Hartford Green TBK=Textured Black

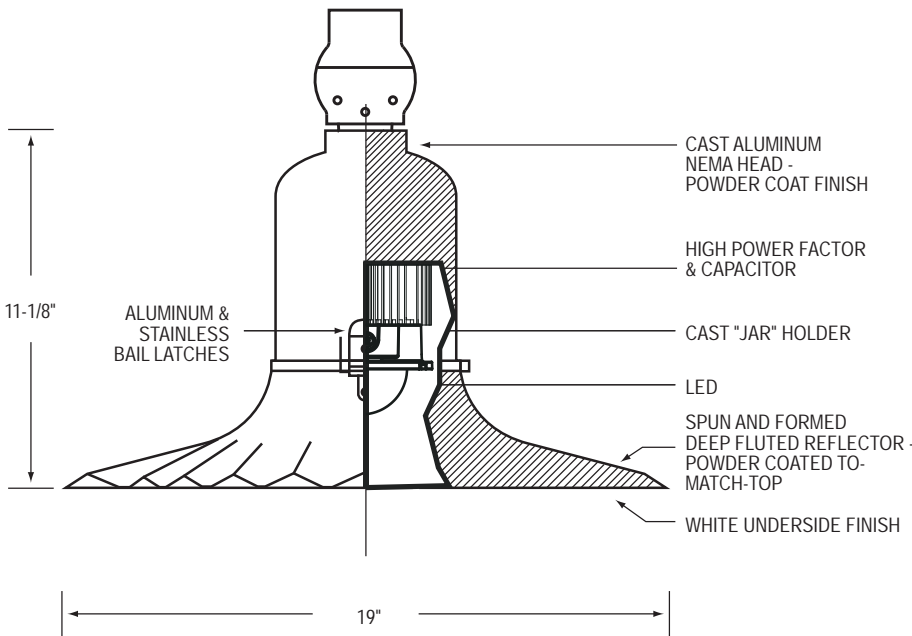
#### FINISH (REFLECTOR)

Top color to match arm  
Underside: high-reflectance white



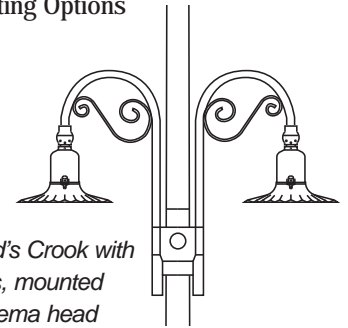
Shown (left): Jamestown Radial Wave LED fixture (top entry) on Shepherd's Crook arm and smooth extruded pole with cast aluminum base PLB-210 (AA).

Typical Components



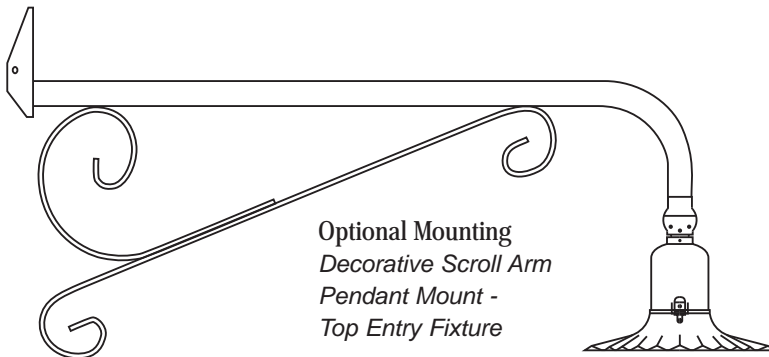
RADIAL WAVE TOP AND SIDE ENTRY HOUSINGS

Mounting Options

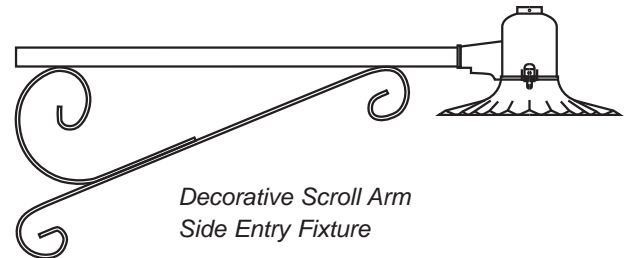


Double Shepherd's Crook with decorative scrolls, mounted using top entry nema head and Jamestown radial wave.

Double Arm Pendant Mount



Optional Mounting  
Decorative Scroll Arm  
Pendant Mount -  
Top Entry Fixture



Decorative Scroll Arm  
Side Entry Fixture

ORDERING FORMAT

MODEL # - LED MODEL # - VOLTAGE - IES DIST. - OPTIONS - FINISH  
JAM-TE 8W-850LM UNIVERSAL TYPE V PC BK

ORDERING FORMAT

MODEL # - LED MODEL # - VOLTAGE - IES DIST. - OPTIONS - FINISH  
JAM-SE 8W-850LM UNIVERSAL TYPE V PC BK