

## CALAIS FLAME-STYLE RADIANT™

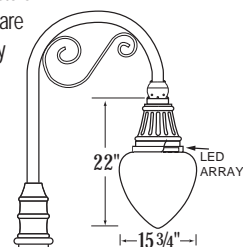
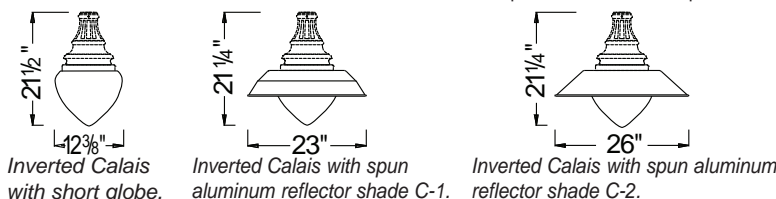


The fixture's housing is made from a decorative fluted cast aluminum upper capital and is available with or without a heavy gauge, spun aluminum lower shade. The enclosure is an acrylic or polycarbonate flame-style globe with stipple finish. These types of light distribution, IES Type II, III, IV and V, are available to meet varying conditions and design requirements and are "full cut-off". The direction of distribution is controlled by a simple field adjustment (rotation) of the entire fixture. The capital dome houses the LED assembly

EPA: 1.8 Weight: 19 lbs (max.)  
5 Year Limited Warranty on LED System  
ETL Listed To UL1598 Standards For Wet Locations

and the lower portion of the housing is designed to provide a diffused light pattern for optimal performance and control. The armature is extruded 1 1/2" diameter aluminum schedule 80 pipe, 6063-T6 alloy, with a 180 degree bend to conform to the standard "Shepherd's Crook" type arm (as seen in the Decorative Aluminum Arms and Accessories section.) The luminaire itself is secured using a mechanical attachment and connected to the pole's shaft by means of a cast aluminum hub fitter, which is welded to the arm and secured to the shaft by means of three set screws to prevent possible rotation. The pole shaft is extruded, tapered or straight,

smooth aluminum, made of 6061-T6 alloy, and welded to a fluted decorative cast aluminum base ready to receive four galvanized steel anchor bolts. All fasteners are stainless steel and vandal resistant. A servicing hand-hole and removable cover are standard features. The fixture is finished with an electro-statically applied polyester powder over a five-stage pretreatment, cleaning, and sealing process. This is currently the best known pretreatment process for aluminum materials in terms of both corrosion resistance and paint adhesion. Separate surge protectors in addition to all drivers, are installed in the circuitry as a company standard.



Shown (left): Calais LED fixture (with inverted globe) on Shepherd's Crook arm and smooth straight pole with cast aluminum base PLB-512. See section AA.

### LED LIGHT ENGINE SPECIFICATIONS:

MODEL#	WATTAGE	INITIAL LUMENS	SYSTEM EFFICACY	CCT	CRI	IES DISTRIBUTIONS
SINGLE MODULE LED SYSTEM						
8W-850LM	9	850	97	2.7K, 3.0K, 3.5K, 4.0K	90	Type V
12W-1250LM	13	1250	97	2.7K, 3.0K, 3.5K, 4.0K	90	Type V
19W-2000LM	21	2000	97	2.7K, 3.0K, 3.5K, 4.0K	90	Type V
32W-3000LM	31	3000	97	2.7K, 3.0K, 3.5K, 4.0K	90	Type V
37W-4000LM	37	4000	108	2.7K, 3.0K, 3.5K, 4.0K	90	Type V
71W-6000LM	71	6000	85	3.0K, 3.5K, 4.0K	90	Type V
<b>Note: The lumen values remain the same regardless of CCT.</b>						
RADIANT™ LED ARRAYS SYSTEM INITIAL LUMENS BASED ON 219B CHIPS						
40W35C5K	40	4720	118	5K	65	Type II, III, IV, V
45W35C5K	46	5290	115	5K	65	Type II, III, IV, V
40W35C4K	40	4480	112	4.0K	65	Type II, III, IV, V
45W35C4K	46	5014	109	4.0K	65	Type II, III, IV, V
40W35C3K	40	3480	87	3.5K	80	Type II, III, IV, V
45W35C3K	46	3910	85	3.5K	80	Type II, III, IV, V
45W35C2K	46	3680	80	2.7K	80	Type II, III, IV, V

ORDERING FORMAT SURGE PROTECTION DEVICE MEETS IEEE C62.41 2002 C HIGH 10kA. See spec sheet on page J12.

MODEL # - LENS - LED MODEL # - VOLTAGE - IES DIST. - OPTIONS - FINISH  
**CAL ACR-STIP 45W35C4K UNIVERSAL TYPE III PC BK**

#### OPTIONS

Globe Style Deep	Lens ACR-STIP=Acrylic Stipple ACR-DEEP= Acrylic - Deep Globe PC-STIP=Polycarbonate Stipple PC-DEEP= Polycarbonate - Deep Globe	Optical II III IV V	Electrical PC=Photo Control Button FS=Fuse (single) FD=Fuse (double) Auto Sensing to 277V AC	Mounting SF=Slip Fitter (3") TE=Top Entry WM=Wall Mount TM=Top Mount Leveling Knuckle	Reflector C-1=Heavy Spun Aluminum C-2=Heavy Spun Aluminum C-3=Heavy Spun Aluminum
Short	ACR-SHORT=Acrylic - Short Globe PC-SHORT=Polycarbonate - Short Globe				

#### FINISH (HOUSING)

Standard Colors BK=Black BZ=Medium Bronze DBZ=Dark Bronze WH=White GR=Green SM=Silver Metallic	Premium Colors VP=Verde Patina PP=Pewter Patina SS=Silver Sparkle CC=Custom color HG= Hartford Green TBK=Textured Black
--	---

#### FINISH (REFLECTOR)

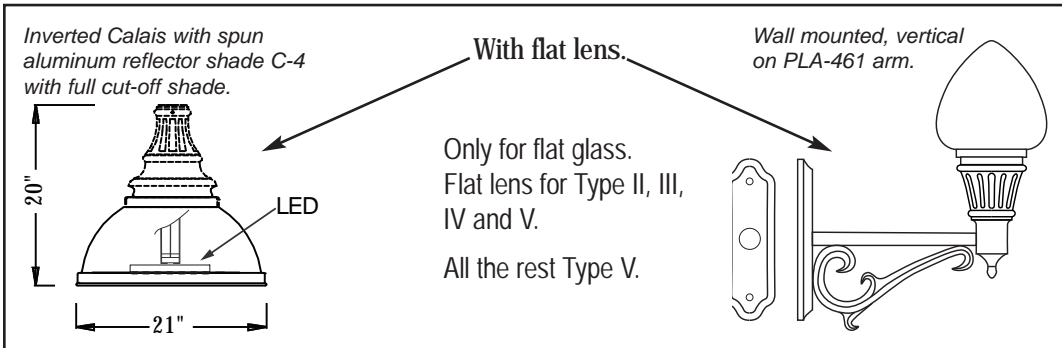
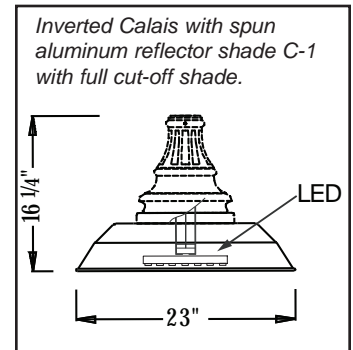
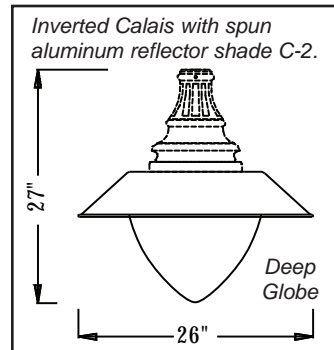
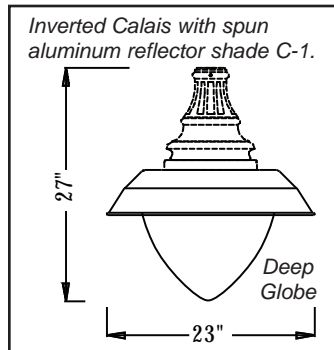
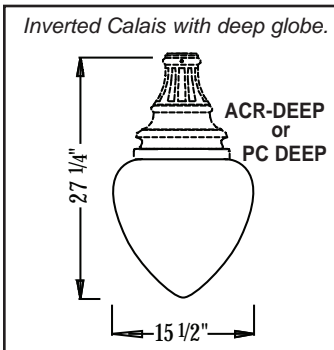
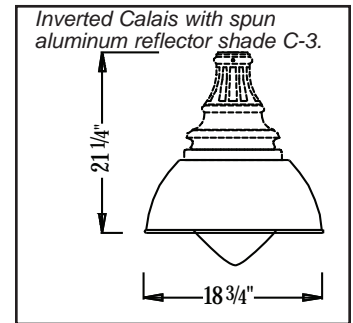
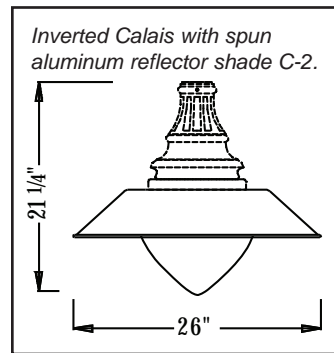
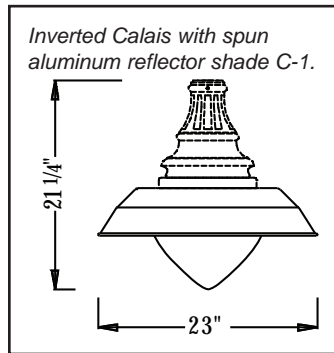
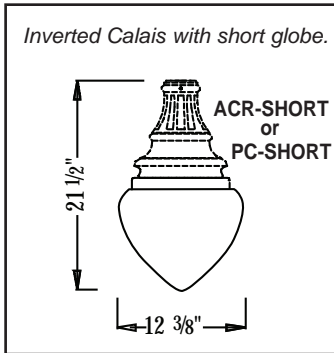
Top color to match arm Underside: high-reflectance white

All arrays are "Full Cut-off"

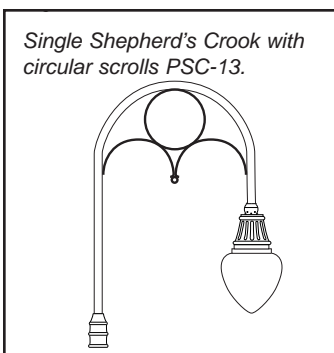
IP Rating: IP65

LED Engine by **SANSI**

Various Reflector Styles and Mounting Options



Pemco offers a wide selection of shade styles to reduce up-light and create an elegant look. The acrylic or polycarbonate flame globe is glass-like and will add years of durability.



ORDERING FORMAT

MODEL # - LENS - LED MODEL # - VOLTAGE - IES DIST. - OPTIONS - FINISH  
CAL - ACR-STIP - 45W35C4K - UNIVERSAL - TYPE III - C2 - WH