

CAPE MAY PENDANT RADIANT™



This fixture, with its aluminum spinnings and decorative guard, is reminiscent of nautical fixtures often seen near the shoreline in their day. With several distinct mounting options and additional styles, this luminaire is sure to create a pleasing atmosphere in almost any location. The fixture's housing is made of cast aluminum which holds both the borosilicate glass internal refractor in IES Type II, III, IV and V, and the clear globe, available in either acrylic or UV stabilized polycarbonate. The reflectors are spun, heavy

EPA: 2.2 Weight: 37 lbs
5 Year Limited Warranty on LED System
ETL Listed To UL1598 Standards For Wet Locations

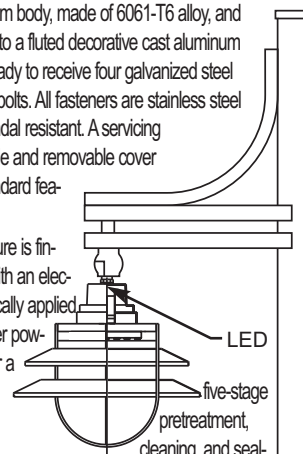
gauge aluminum, mounted to a formed aluminum guard. When pendant mounted, the option of one or two reflectors becomes available. These types of light distribution, IES Type II, III, IV and V, are available to meet varying conditions and design requirements and are "full cut-off". The direction of distribution is controlled by a simple field adjustment (rotation) of the entire fixture.

The ballast for this specific fixture is housed safely in a protective cast aluminum housing chamber, allowing for quick and simple removal if the need of ballast maintenance or servicing arises. Optical options include IES type II, III, IV and V.

The shaft is extruded tapered or straight smooth

aluminum body, made of 6061-T6 alloy, and welded to a fluted decorative cast aluminum base ready to receive four galvanized steel anchor bolts. All fasteners are stainless steel and vandal resistant. A servicing handhole and removable cover are standard features.

The fixture is finished with an electro-statically applied polyester powder over a



ing process. This is currently the best known pretreatment process for aluminum materials in terms of both corrosion resistance and paint adhesion. Separate surge protectors in addition to all drivers, are installed in the circuitry as a company standard.

Shown (above): Cape May fixture with LED (pendant mounted with two reflectors) on smooth straight pole with cast aluminum base PLB-414. See section AA.

LED LIGHT ENGINE SPECIFICATIONS:

INITIAL LUMENS BASED ON 219B CHIPS

MODEL#	WATTAGE	INITIAL LUMENS	SYSTEM EFFICACY	CCT	CRI	IES DISTRIBUTIONS
40W35C5K	40	4720	118	5K	65	Type II, III, IV, V
45W35C5K	46	5290	115	5K	65	Type II, III, IV, V
70W60C5K	70	8260	118	5K	65	Type II, III, IV, V
80W60C5K	80	9200	115	5K	65	Type II, III, IV, V
100W90C5K	103	11,900	118	5K	65	Type II, III, IV, V
120W90C5K	120	13,920	115	5K	65	Type II, III, IV, V
145W90C5K	145	16,965	117	5K	65	Type II, III, IV, V
40W35C4K	42	4480	112	4K	65	Type II, III, IV, V
45W35C4K	47	5014	109	4K	65	Type II, III, IV, V
70W60C4K	70	7840	112	4K	65	Type II, III, IV, V
80W60C4K	80	8720	109	4K	65	Type II, III, IV, V
100W90C4K	103	11,536	112	4K	65	Type II, III, IV, V
120W90C4K	120	13,080	109	4K	65	Type II, III, IV, V
145W90C4K	145	16,965	117	4K	65	Type II, III, IV, V
40W35C3K	40	3480	87	3.5K	80	Type II, III, IV, V
45W35C3K	46	3910	85	3.5K	80	Type II, III, IV, V
70W60C3K	70	6090	87	3.5K	80	Type II, III, IV, V
80W60C3K	80	6800	85	3.5K	80	Type II, III, IV, V
100W90C3K	103	8961	87	3.5K	80	Type II, III, IV, V
120W90C3K	120	10,200	85	3.5K	80	Type II, III, IV, V
145W90C3K	145	14,065	97	3.5K	80	Type II, III, IV, V
45W35C2K	46	3680	80	2.7K	80	Type II, III, IV, V
80W60C2K	80	6400	80	2.7K	80	Type II, III, IV, V
120W90C2K	120	9600	80	2.7K	80	Type II, III, IV, V
145W90C2K	145	12,615	87	2.7K	80	Type II, III, IV, V

ORDERING FORMAT

SURGE PROTECTION DEVICE MEETS IEEE C62.41 2002 C HIGH 10kA. See spec sheet on page J12.

MODEL # - LENS - LED MODEL # - VOLTAGE - IES DIST. - OPTIONS - FINISH
CAPE WITHOUT LENS 45W35C3K UNIVERSAL TYPE III PC BK

OPTIONS

Optical

LED Optical Lens (Mounted on LED)
II
III
IV
V

Electrical

PC=Photo Control Button
FS=Fuse, single
FD=Fuse, double
Auto Sensing to 277V AC

Mounting

SF=Slip Fitter (3")
WM=Wall Mount
PM=Pendant Mount
PM-2=Pendant Mount-2 Reflectors
PM-1=Pendant Mount-1 Reflector

FINISH (HOUSING & REFLECTOR)

Standard Colors

BK=Black
BZ=Medium Bronze
DBZ=Dark Bronze
WH=White
GR=Green
SM=Silver Metallic

Premium Colors

VP=Verde Patina
PP=Pewter Patina
SS=Silver Sparkle
CC=Custom color

All arrays are "Full Cut-off"

IP Rating: IP65

LED Engine by **SANSI**

CAPE MAY PENDANT RADIANT™



Shown (above): Cape May fixture with LED (pendant mounted with two reflectors) on PPMB-17-U&LE arm.

This fixture, with its aluminum spinings and decorative guard, is reminiscent of nautical fixtures often seen near the shoreline in their day. With several distinct mounting options and additional styles, this luminaire is sure to create a pleasing atmosphere in almost any location.

The fixture's housing is made of cast aluminum which holds both the borosilicate glass internal refractor in IES Type II, III, IV and V, and the clear

EPA: 2.2 Weight: 37 lbs
5 Year Limited Warranty on LED System
ETL Listed To UL1598 Standards For Wet Locations

globe, available in either acrylic or UV stabilized polycarbonate. The reflectors are spun, heavy gauge aluminum, mounted to a formed aluminum guard. When pendant mounted, the option of one or two reflectors becomes available. These types of light distribution, IES Type II, III, IV and V, are available to meet varying conditions and design requirements and are "full cut-off". The direction of distribution is controlled by a simple field adjustment (rotation) of the entire fixture.

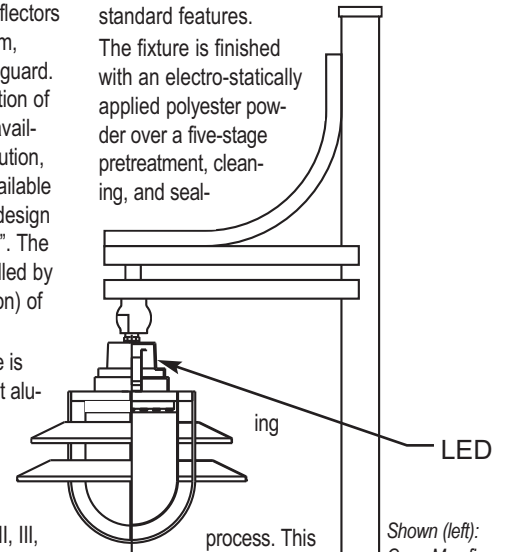
The ballast for this specific fixture is housed safely in a protective cast aluminum housing chamber, allowing for quick and simple removal if the need of ballast maintenance or servicing arises.

Optical options include IES type II, III, IV and V clear lens styles.

The shaft is extruded tapered or straight smooth aluminum body, made of 6061-T6 alloy, and welded to a fluted decorative cast aluminum base ready to receive four galvanized steel anchor bolts. All fasteners are stainless steel and vandal resistant. A servicing handhole and removable cover are

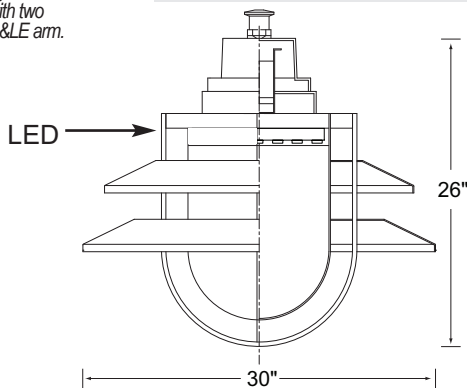
standard features.

The fixture is finished with an electro-statically applied polyester powder over a five-stage pretreatment, cleaning, and seal-



ing process. This is currently the best known pretreatment process for aluminum materials in terms of both corrosion resistance and paint adhesion. Separate surge protectors in addition to all drivers, are installed in the circuitry as a company standard.

Shown (left): Cape May fixture with LED (pendant mounted with two reflectors) on smooth straight pole with cast aluminum base PLB-414. See section AA.



LED LIGHT ENGINE SPECIFICATIONS: WITH LENS

INITIAL LUMENS BASED ON 219B CHIPS

MODEL#	WATTAGE	INITIAL LUMENS	SYSTEM EFFICACY	CCT	CRI	IES DISTRIBUTIONS
40W35C5K	40	4720	118	5K	65	Type II, III, IV, V
45W35C5K	46	5290	115	5K	65	Type II, III, IV, V
40W35C4K	40	4480	112	4.3K	65	Type II, III, IV, V
45W35C4K	46	5014	109	4.3K	65	Type II, III, IV, V
40W35C3K	40	3480	87	3.5K	80	Type II, III, IV, V
45W35C3K	46	3910	85	3.5K	80	Type II, III, IV, V
45W35C2K	46	3680	80	2.7K	80	Type II, III, IV, V

ORDERING FORMAT SURGE PROTECTION DEVICE MEETS IEEE C62.41 2002 C HIGH 10kA. See spec sheet on page J12.

MODEL # - LENS - LED MODEL # - VOLTAGE - IES DIST. - OPTIONS - FINISH
CAPE CL-ACR 45W35C3K UNIVERSAL TYPE III PC BK

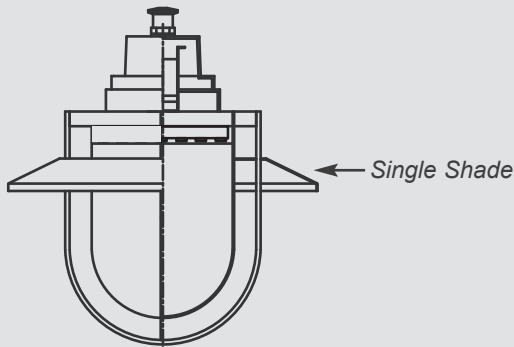
OPTIONS				FINISH (HOUSING & REFLECTOR)	
Lens CL-POLY=Clear polycarbonate CL-ACR=Clear acrylic FL=Flat Glass Lens	Optical LED Optical Lens (Mounted on LED) II III IV V	Electrical PC=Photo Control Button FS=Fuse, single FD=Fuse, double Auto Sensing to 277V AC	Mounting SF=Slip Fitter (3") WM=Wall Mount PM=Pendant Mount PM-2=Pendant Mount-2 Reflectors PM-1=Pendant Mount-1 Reflector	Standard Colors BK=Black BZ=Medium Bronze DBZ=Dark Bronze WH=White GR=Green SM=Silver Metallic	Premium Colors VP=Verde Patina PP=Pewter Patina SS=Silver Sparkle CC=Custom color

All arrays are "Full Cut-off"

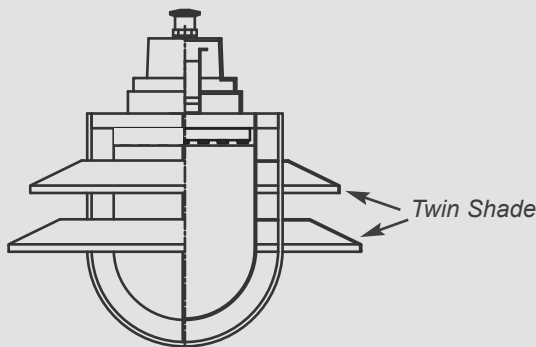
IP Rating: IP65

LED Engine by **SANSI**

MOUNTING OPTIONS
Teardrop Mountings

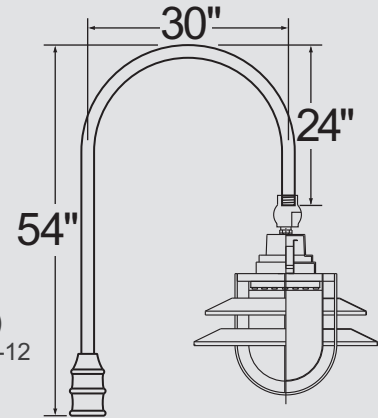


30"
PM-1

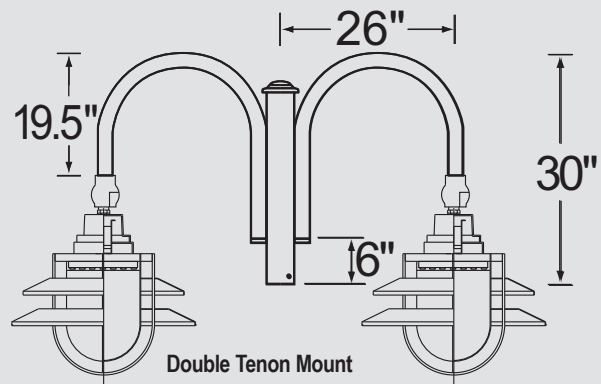


30"
PM-2

MOUNTING



Single Pole Mount (30")
Model Number: PSC-12
EPA of bracket: 0.9
Weight load: 65 lbs



Double Tenon Mount
Model Number: PSC-22
EPA of bracket: 1.2
Arm weight load: 65 lbs.

