

## CORONADO Prismatic Opti-FLUX™



The fixture's housing is made of 356-T6 cast aluminum with a minimum 3/16" to 1/4" thickness throughout and encloses a specular, fluted aluminum reflector that works in conjunction with the borosilicate glass refractor for superior optics.

The lens is made of prismatic borosilicate glass and available in IES type II, III, IV, and V distribution, as well as polycarbonate or acrylic, deep and short.

The hinged top entry housing is held in place with a mechanical attachment

EPA: 2.37 Weight: 66 lbs (max.)  
5 Year Limited Warranty on LED System  
ETL Listed To UL1598 Standards For Wet Locations

and connected to the pole's shaft by means of a cast aluminum hub fitter, which is welded to the arm and secured to the shaft by means of three set screws and a through bolt to prevent possible rotation. A terminal block and quick disconnect plugs make for easy installation. The ballast housing hinges down from the top entry housing for wiring and maintenance of ballast, which is attached to a mounting plate opposite the socket, for easy removal. The porcelain, mogul base socket is 4KV rated for use with high power factor ballasts and high voltage.

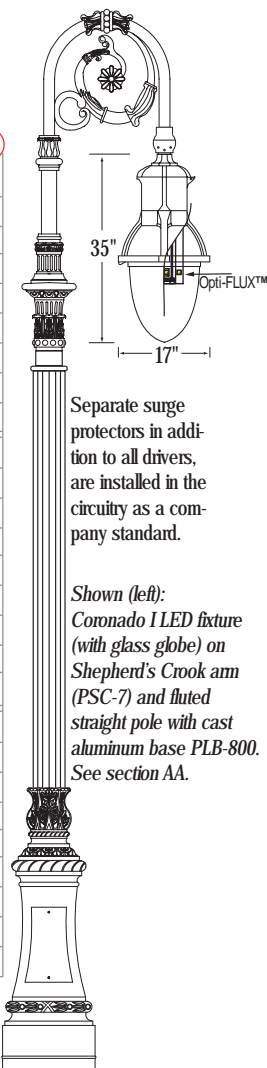
The refractor is clamped and siliconed into

the hinged door bezel that attaches to the reflector housing with a steel captive wing nut for simple and tool-less entry.

The fixture is finished with an electro-statically applied polyester powder over a five-stage pretreatment, cleaning, and sealing process. This is currently the best known pretreatment process for aluminum materials in terms of both corrosion resistance and paint adhesion.

### LED LIGHT ENGINE SPECIFICATIONS: PRISMATIC OPTI-FLUX™ INITIAL LUMENS BASED ON UBIN CHIPS

MODEL#	WATTAGE	INITIAL LUMENS	SYSTEM EFFICACY	CCT	CRI	IES DISTRIBUTIONS
31W4C5K	31	4320	115	5K	70	Type II, III, IV, V
39W5C5K	39	5400	115	5K	70	Type II, III, IV, V
47W6C5K	47	6480	115	5K	70	Type II, III, IV, V
55W7C5K	55	7560	115	5K	70	Type II, III, IV, V
63W8C5K	63	8640	115	5K	70	Type II, III, IV, V
70W9C5K	70	9720	115	5K	70	Type II, III, IV, V
78W10C5K	78	10800	115	5K	70	Type II, III, IV, V
86W11C5K	86	11880	115	5K	70	Type II, III, IV, V
94W12C5K	94	12960	115	5K	70	Type II, III, IV, V
31W4C4K	31	3736	110	4K	70	Type II, III, IV, V
39W5C4K	39	4670	110	4K	70	Type II, III, IV, V
47W6C4K	47	5604	110	4K	70	Type II, III, IV, V
55W7C4K	55	6538	110	4K	70	Type II, III, IV, V
63W8C4K	63	7442	110	4K	70	Type II, III, IV, V
70W9C4K	70	8376	110	4K	70	Type II, III, IV, V
78W10C4K	78	9310	110	4K	70	Type II, III, IV, V
86W11C4K	86	10244	110	4K	70	Type II, III, IV, V
94W12C4K	94	11178	110	4K	70	Type II, III, IV, V
31W4C3K	31	3390	99	3K	70	Type II, III, IV, V
39W5C3K	39	4220	99	3K	70	Type II, III, IV, V
47W6C3K	47	5050	98	3K	70	Type II, III, IV, V
55W7C3K	55	5880	98	3K	70	Type II, III, IV, V
63W8C3K	63	6710	98	3K	70	Type II, III, IV, V
70W9C3K	70	7540	98	3K	70	Type II, III, IV, V
78W10C3K	78	8370	98	3K	70	Type II, III, IV, V
86W11C3K	86	9200	98	3K	70	Type II, III, IV, V
94W12C3K	94	10030	98	3K	70	Type II, III, IV, V



ORDERING FORMAT SURGE PROTECTION DEVICE MEETS IEEE C62.41 2002 C HIGH 10kA. See spec sheet on page J12.

MODEL # - LENS - LED MODEL # - VOLTAGE - IES DIST. - OPTIONS - FINISH  
CORO - ACR-PRS - 55W7C3K - UNIVERSAL - TYPE III - PC - BK

#### OPTIONS

**Lens**  
ACR-PRS=Acrylic Prismatic  
POLY-PRS=Polycarbonate Prismatic  
ACR=Acrylic  
POLY=Polycarbonate  
SG=Short Glass  
DG=Deep Glass

**Optical**  
II, III, IV, V  
GLD=Deep Borosilicate Glass II, III, IV, V  
GLS=Short Borosilicate Glass III, V  
POLY=Polycarbonate Deep III, V  
Polycarbonate Short III, V  
ACR=Acrylic Deep III, V  
Acrylic Short III, V

**Electrical**  
PC=Photo Control Button  
FS=Fuse (single)  
FD=Fuse (double)  
Auto Sensing to 277V AC

**Mounting**  
SF=Slip Fitter (3")  
WM=Wall Mount  
TM=Top Mount  
Leveling Knuckle  
Spun Aluminum Skirt

#### FINISH

**Standard Colors**  
BK=Black  
BZ=Medium Bronze  
DBZ=Dark Bronze  
WH=White  
GR=Green  
SM=Silver Metallic

**Premium Colors**  
VP=Verde Patina  
PP=Pewter Patina  
SS=Silver Sparkle  
CC=Custom color  
HG=Hartford Green  
TBK=Textured Black

## CORONADO RADIANT™



The fixture's housing is made of 356-T6 cast aluminum with a minimum 3/16" to 1/4" thickness throughout and encloses a specular, fluted aluminum reflector that works in conjunction with the borosilicate glass refractor for superior optics.

The lens is made of prismatic borosilicate glass and available in IES type II, III, IV, and V distribution, as well as polycarbonate or acrylic.

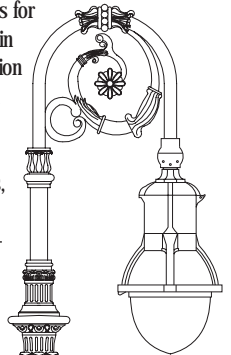
The hinged top entry housing is held in place with a mechanical attachment and connected to the pole's shaft by means of a cast aluminum hub fitter, which is

welded to the arm and secured to the shaft by means of three set screws and a through bolt to prevent possible rotation. A terminal block and quick disconnect plugs make for easy installation. The ballast housing hinges down from the top entry housing for wiring and maintenance of ballast, which is attached to a mounting plate opposite the socket, for easy removal. The porcelain, mogul base socket is 4KV rated for use with high power factor ballasts and high voltage. The reflector housing encloses a fluted aluminum reflector that works in conjunction with the glass refractor for superior optical performance. The refractor is clamped and siliconed into the hinged

door bezel that attaches to the reflector housing with a steel captive wing nut for simple and tool-less entry.

The fixture is finished with an electro-statically applied polyester powder over a five-stage pretreatment, cleaning, and sealing process. This is currently the best known pretreatment process for aluminum materials in terms of both corrosion resistance and paint adhesion. Separate surge protectors in addition to all drivers, are installed in the circuitry as a company standard.

EPA: 2.37 Weight: 66 lbs (max.)  
5 Year Limited Warranty on LED System  
ETL Listed To UL1598 Standards For Wet Locations

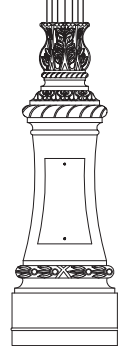


### LED LIGHT ENGINE SPECIFICATIONS:

INITIAL LUMENS BASED ON 219B CHIPS

MODEL#	WATTAGE	INITIAL LUMENS	SYSTEM EFFICACY	CCT	CRI	IES DISTRIBUTIONS
40W35C5K	40	4720	118	5K	65	Type II, III, IV, V
45W35C5K	46	5290	115	5K	65	Type II, III, IV, V
70W60C5K	70	8260	118	5K	65	Type II, III, IV, V
80W60C5K	80	9200	115	5K	65	Type II, III, IV, V
40W35C4K	42	4480	112	4K	65	Type II, III, IV, V
45W35C4K	47	5014	109	4K	65	Type II, III, IV, V
70W60C4K	70	7840	112	4K	65	Type II, III, IV, V
80W60C4K	80	8720	109	4K	65	Type II, III, IV, V
40W35C3K	40	3480	87	3.5K	80	Type II, III, IV, V
45W35C3K	46	3910	85	3.5K	80	Type II, III, IV, V
70W60C3K	70	6090	87	3.5K	80	Type II, III, IV, V
80W60C3K	80	6800	85	3.5K	80	Type II, III, IV, V
45W35C2K	46	3680	80	2.7K	80	Type II, III, IV, V
80W60C2K	80	6400	80	2.7K	80	Type II, III, IV, V

Shown (left):  
Coronado I LED fixture  
(with short lens) on  
Shepherd's Crook arm  
(PSC-7) and fluted  
straight pole with cast  
aluminum base PLB-  
800.  
See section AA.



ORDERING FORMAT SURGE PROTECTION DEVICE MEETS IEEE C62.41 2002 C HIGH 10kA. See spec sheet on page J12.

MODEL # - LENS - LED MODEL # - VOLTAGE - IES DIST. - OPTIONS - FINISH  
CORO CL-ACR-SG 80W60C3K UNIVERSAL TYPE III PC BK

#### OPTIONS

Globe Style	Lens	Optical	Electrical	Mounting
Deep	CL-ACR-DG=Clear Acrylic Deep Globe FR-ACR-DG=Frosted Acrylic Deep Globe	II III IV	PC=Photo Control Button FS=Fuse (single) FD=Fuse (double) Auto Sensing to 277V AC	SF=Slip Fitter (3") WM=Wall Mount TM=Top Mount Leveling Knuckle Spun Aluminum Skirt
Short	CL-ACR-SG=Clear Acrylic Short Globe FR-ACR-SG=Frosted Acrylic Short Globe	V		

All arrays are "Full Cut-off"

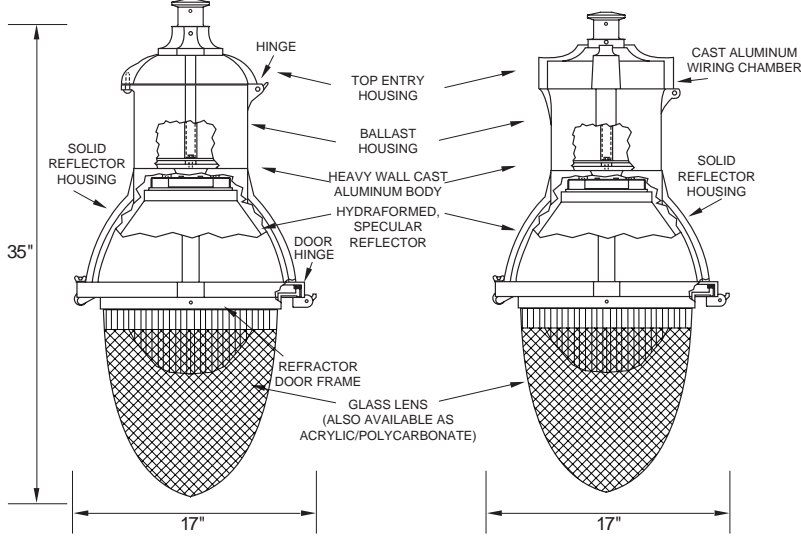
IP Rating: IP65

#### FINISH

Standard Colors	Premium Colors
BK=Black	VP=Verde Patina
BZ=Medium Bronze	PP=Pewter Patina
DBZ=Dark Bronze	SS=Silver Sparkle
WH=White	CC=Custom color
GR=Green	HG=Hartford Green
SM=Silver Metallic	TBK=Textured Black

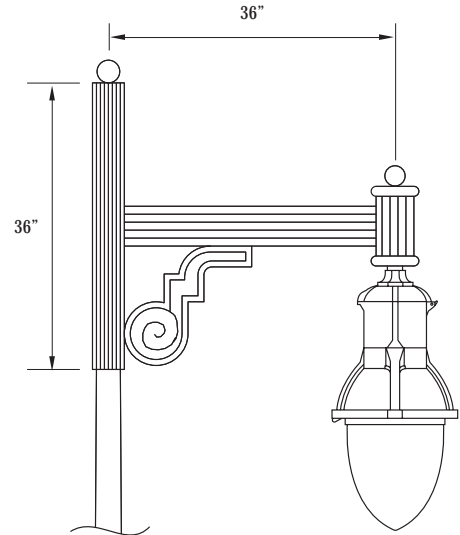
LED Engine by SANSI

### Typical Components



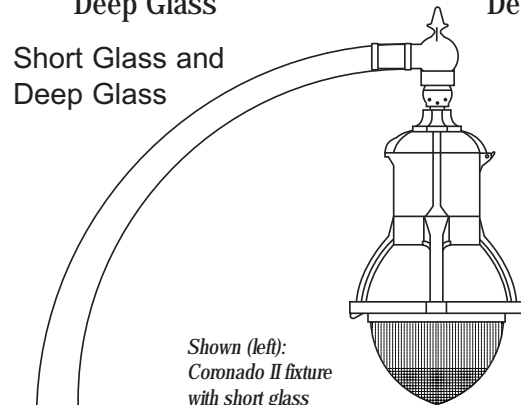
**Coronado I**  
Deep Glass

**Coronado II**  
Deep Glass

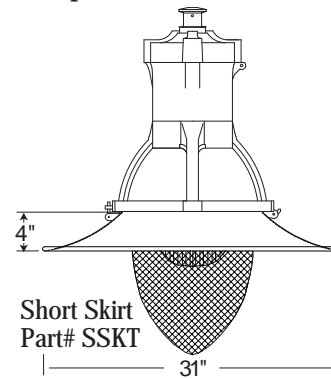


**PLA-932**  
(See Roadway Arms & Accessories)

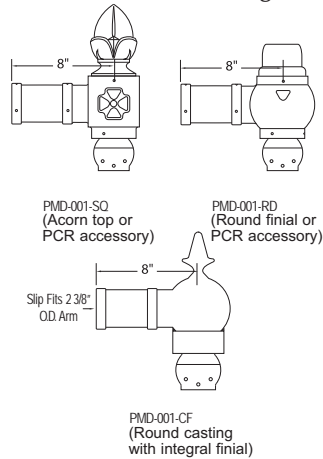
Short Glass and  
Deep Glass



### Spun aluminum skirt

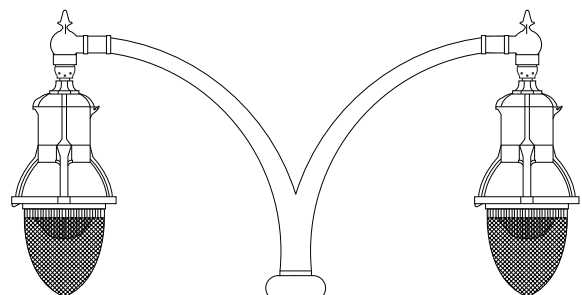


### Decorative Luminaire Mounting Devices



Self leveling device for easy mount hubs.

Roadway arms  
See Section G. for full selection of available arms.



**PLA-922**  
(See Roadway Arms & Accessories)