

GREENVILLE RADIANT™ Dark Skies Compliant



The housing is made of spun aluminum. The dome houses the ballast assembly and the lower portion of the housing is designed to hold the reflector and lamp assembly.

The enclosure is available with a flat glass lens. These types of light distribution, IES Type II, III, IV and V, are available to meet varying conditions and design requirements and are "full cut-off". The direction of distribution is controlled

EPA: .90 Weight: 32 lbs
5 Year Limited Warranty on LED System
ETL Listed To UL1598 Standards For Wet Locations

by a simple field adjustment (rotation) of the entire fixture.

The armature is made of heavy-duty cast aluminum to form a rigid, strong base for supporting the fixture (as seen in the Decorative Aluminum Arms and Accessories section.) All aluminum alloys comply with metallurgical and mechanical properties set forth in the Aluminum Association Standards. The luminaire is held in place with a 1 1/2" aluminum coupling.

The shaft is an extruded tapered or straight smooth aluminum body, made of 6061-T6 alloy, and welded to a cast alu-

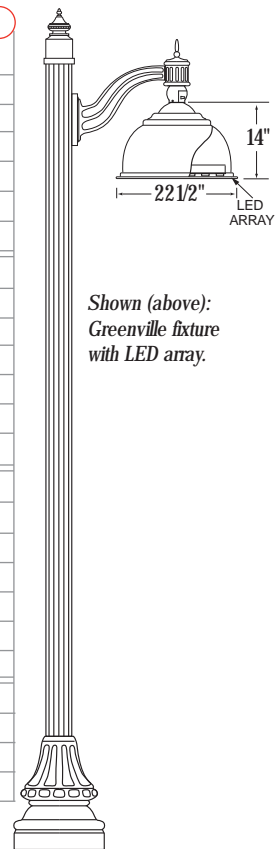
minum anchoring base. Four galvanized steel anchor bolts are provided. All fasteners are stainless steel and vandal resistant. A servicing handhole, grounding lug and removable cover are standard.

The finish is a polyester powder coating, electrostatically applied and thermocured over a sandblasted surface with a five-stage chemical wash and pre-treatment process. All RAL colors are available to match poles or fixtures. Refer to ordering chart for color selection or contact the factory for customization. Separate surge protectors in addition to all drivers, are installed in the circuitry as a company standard.

LED LIGHT ENGINE SPECIFICATIONS:

INITIAL LUMENS BASED ON 219B CHIPS

MODEL#	WATTAGE	INITIAL LUMENS	SYSTEM EFFICACY	CCT	CRI	IES DISTRIBUTIONS
40W35C5K	40	4720	118	5K	65	Type II, III, IV, V
45W35C5K	46	5290	115	5K	65	Type II, III, IV, V
70W60C5K	70	8260	118	5K	65	Type II, III, IV, V
80W60C5K	80	9200	115	5K	65	Type II, III, IV, V
100W90C5K	103	11,900	118	5K	65	Type II, III, IV, V
120W90C5K	120	13,920	115	5K	65	Type II, III, IV, V
145W90C5K	145	16,965	117	5K	65	Type II, III, IV, V
40W35C4K	42	4480	112	4K	65	Type II, III, IV, V
45W35C4K	47	5014	109	4K	65	Type II, III, IV, V
70W60C4K	70	7840	112	4K	65	Type II, III, IV, V
80W60C4K	80	8720	109	4K	65	Type II, III, IV, V
100W90C4K	103	11,536	112	4K	65	Type II, III, IV, V
120W90C4K	120	13,080	109	4K	65	Type II, III, IV, V
145W90C4K	145	16,965	117	4K	65	Type II, III, IV, V
40W35C3K	40	3480	87	3.5K	80	Type II, III, IV, V
45W35C3K	46	3910	85	3.5K	80	Type II, III, IV, V
70W60C3K	70	6090	87	3.5K	80	Type II, III, IV, V
80W60C3K	80	6800	85	3.5K	80	Type II, III, IV, V
100W90C3K	103	8961	87	3.5K	80	Type II, III, IV, V
120W90C3K	120	10,200	85	3.5K	80	Type II, III, IV, V
145W90C3K	145	14,065	97	3.5K	80	Type II, III, IV, V
45W35C2K	46	3680	80	2.7K	80	Type II, III, IV, V
80W60C2K	80	6400	80	2.7K	80	Type II, III, IV, V
120W90C2K	120	9600	80	2.7K	80	Type II, III, IV, V
145W90C2K	145	12,615	87	2.7K	80	Type II, III, IV, V



Shown (above): Greenville fixture with LED array.

ORDERING FORMAT SURGE PROTECTION DEVICE MEETS IEEE C62.41 2002 C HIGH 10kA. See spec sheet on page J12.

MODEL # - LENS - LED MODEL # - VOLTAGE - IES DIST. - OPTIONS - FINISH
 GREEN CL-ACR 40W35C3K UNIVERSAL TYPE III PC BK

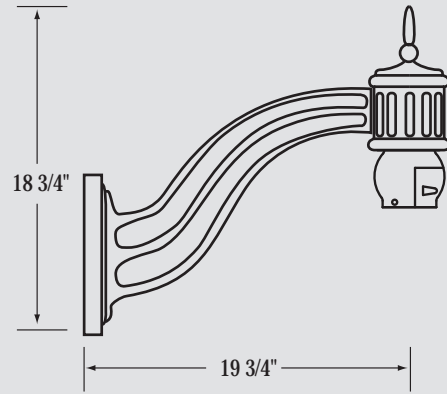
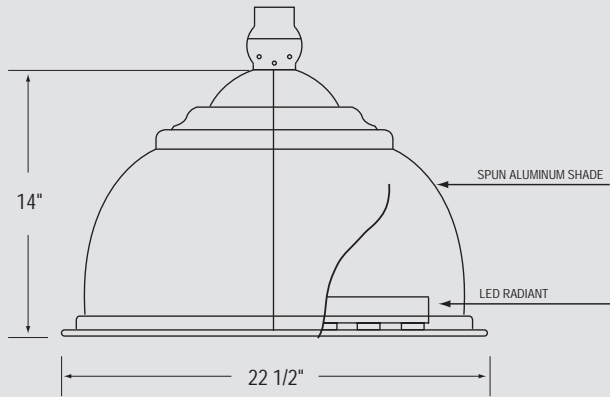
OPTIONS				FINISH		
Lens FL=Flat Glass Lens DR=Dropped Glass CL-ACR=Clear Acrylic	Optical II, III, IV, V FL=Flat Clear Glass DR=Dropped Glass	Electrical PC=Photo Control Button FS=Fuse, single FD=Fuse, double Auto Sensing to 277V AC	Mounting SF=Slip Fitter (3") WM=Wall Mount TM=Top Mount Leveling Knuckle	Arm See section "D" for complete arm collection	Standard Colors BK=Black BZ=Medium Bronze DBZ=Dark Bronze WH=White GR=Green SM=Silver Metallic	Premium Colors VP=Verde Patina PP=Pewter Patina SS=Silver Sparkle CC=Custom color HG=Hartford Green TBK=Textured Black

All arrays are "Full Cut-off"

IP Rating: IP65

LED Engine by SANSI

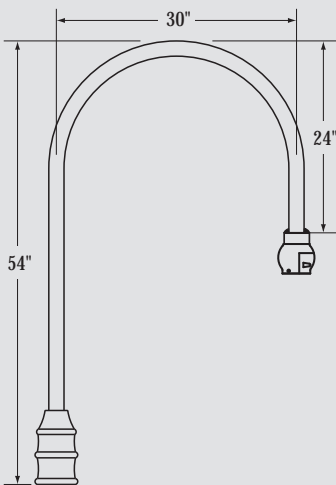
TYPICAL COMPONENTS



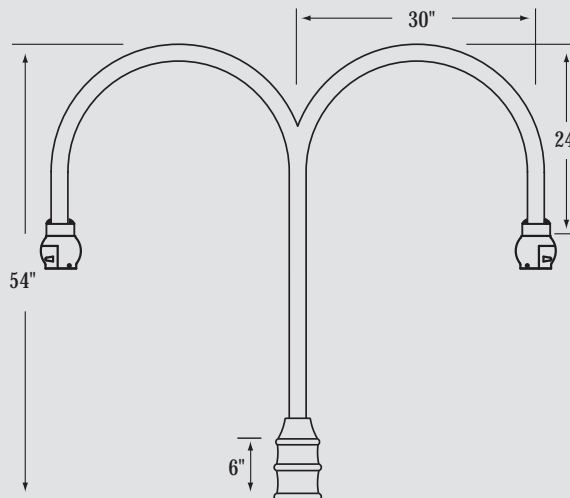
Pendant Wall Mount
Model Number: PLA-132-WM-PEND

Mounting Options

Single Pole Mount
Model Number: PSC-12
EPA of bracket: 0.9
Weight load: 65 lbs



Double Pole Mount
Model Number: PSC-25
EPA of bracket: 1.2
Arm weight load: 65 lbs.



Inverted Top Wall Mount
Model Number:
PLA-121-WM-TM-INV

