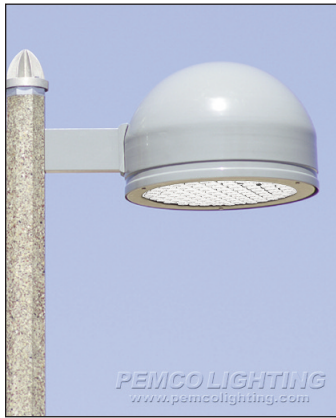


Newport Area Solid State Lighting

SATURN I AREA & ROADWAY LUMINAIRE

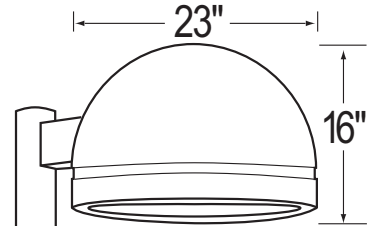


Pemco's Saturn I luminaires are semispherical in design with a decorative reveal just above the bottom for accent striping. The housings are one piece seamless spun aluminum, sharp cutoff. Finished in an extremely durable polyester powder coat, electrostatically applied in seven standard colors plus custom colors upon request. These types of light distribution,

EPA: 2.3 Size: 23" Diameter x 16"
5 Year Limited Warranty on LED System
ETL Listed To UL1598 Standards For Wet Locations

IES Type II, III, IV and V, are available to meet varying conditions and design requirements and are "full cut-off". The direction of distribution is controlled by a simple field adjustment (rotation) of the entire fixture. Saturn I is sealed for protection against moisture, dust, dirt and pollutants, and is available with heat-resistant, tempered flat glass lenses.

Separate surge protectors in addition to all drivers, are installed in the circuitry as a company standard.



Shown (above):
Saturn I fixture with
LED array.

LED LIGHT ENGINE SPECIFICATIONS:

INITIAL LUMENS BASED ON 219B CHIPS

MODEL#	WATTAGE	INITIAL LUMENS	SYSTEM EFFICACY	CCT	CRI	IES DISTRIBUTIONS
40W35C5K	40	4720	118	5K	65	Type II, III, IV, V
45W35C5K	46	5290	115	5K	65	Type II, III, IV, V
70W60C5K	70	8260	118	5K	65	Type II, III, IV, V
80W60C5K	80	9200	115	5K	65	Type II, III, IV, V
100W90C5K	103	11,900	118	5K	65	Type II, III, IV, V
120W90C5K	120	13,920	115	5K	65	Type II, III, IV, V
145W90C5K	145	16,965	117	5K	65	Type II, III, IV, V
40W35C4K	42	4480	112	4K	65	Type II, III, IV, V
45W35C4K	47	5014	109	4K	65	Type II, III, IV, V
70W60C4K	70	7840	112	4K	65	Type II, III, IV, V
80W60C4K	80	8720	109	4K	65	Type II, III, IV, V
100W90C4K	103	11,536	112	4K	65	Type II, III, IV, V
120W90C4K	120	13,080	109	4K	65	Type II, III, IV, V
145W90C4K	145	16,965	117	4K	65	Type II, III, IV, V
40W35C3K	40	3480	87	3.5K	80	Type II, III, IV, V
45W35C3K	46	3910	85	3.5K	80	Type II, III, IV, V
70W60C3K	70	6090	87	3.5K	80	Type II, III, IV, V
80W60C3K	80	6800	85	3.5K	80	Type II, III, IV, V
100W90C3K	103	8961	87	3.5K	80	Type II, III, IV, V
120W90C3K	120	10,200	85	3.5K	80	Type II, III, IV, V
145W90C3K	145	14,065	97	3.5K	80	Type II, III, IV, V
45W35C2K	46	3680	80	2.7K	80	Type II, III, IV, V
80W60C2K	80	6400	80	2.7K	80	Type II, III, IV, V
120W90C2K	120	9600	80	2.7K	80	Type II, III, IV, V
145W90C2K	145	12,615	87	2.7K	80	Type II, III, IV, V

ORDERING FORMAT SURGE PROTECTION DEVICE MEETS IEEE C62.41 2002 C HIGH 10kA. See spec sheet on page J12.

MODEL # - LENS - MOUNT - LED MODEL # - VOLTAGE - IES DIST. - OPTIONS - FINISH

SAT I FL SP9 80W60C3K UNIVERSAL TYPE III PC BK

OPTIONS				FINISH (HOUSING & ARM)	
Lens FL=Flat Glass Lens-standard CL-ACR=Clear Acrylic - flat DR=Dropped Glass* *Only available in quantities of 50 units.	Optical II III IV V	Electrical PC=Photo Control Button FS=Fuse (single) FD=Fuse (double)	Mounting SF=Slip Fitter (3") SP9=9" arm; square pole RP9=9" arm; round pole WW9=9" arm wood pole or wall mount HSS=House Side Shield VG=Vandal Guard Shield SPM=Spider Mount	Standard Colors BK=Black BZ=Medium Bronze DBZ=Dark Bronze WH=White GR=Green SM=Silver Metallic	Premium Colors VP=Verde Patina PP=Pewter Patina SS=Silver Sparkle CC=Custom color HG= Hartford Green TBK=Textured Black

All arrays are "Full Cut-off"

IP Rating: IP65

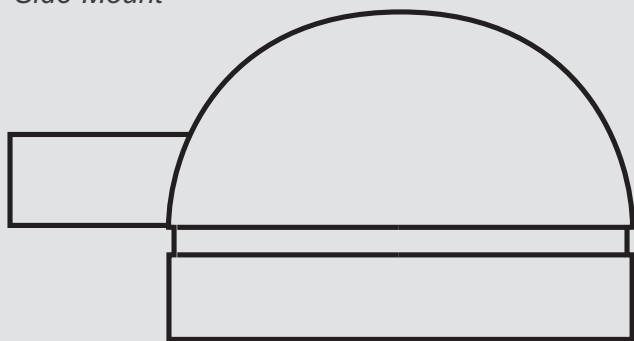
LED Engine by **SANSI**

Newport Area Solid State Lighting

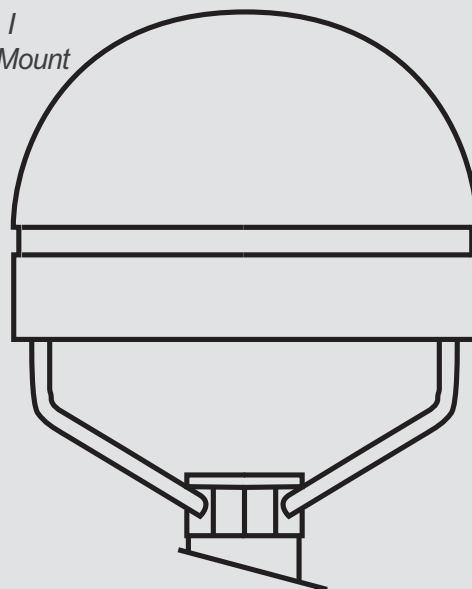


Mounting Options

Saturn I
Side Mount

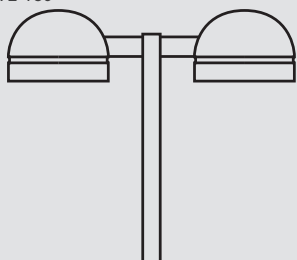


Saturn I
Spider Mount

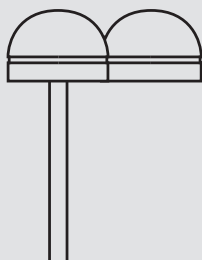


Mounting Configurations

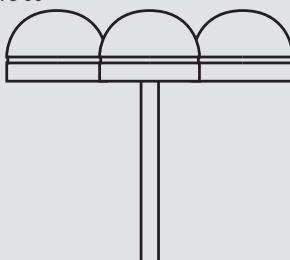
T2-180



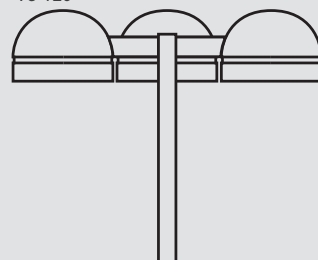
T2-90



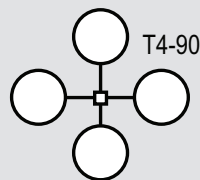
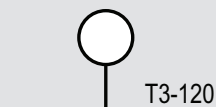
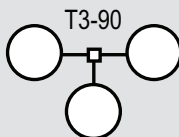
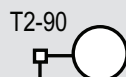
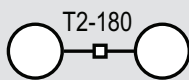
T3-90



T3-120



Mounting Configurations



Typical Components

1. Housing of heavy gauge spun aluminum
2. Reflector with specular Alzak® finish is hinged to an aluminum support frame, rotatable in the field.
3. Heat-resistant tempered clear glass lens is fully gasketed and mounted to a spun aluminum door frame.
4. LED Array.
5. Ballast mounted on a unitized module for easy removal to facilitate field wiring, quick disconnects.
6. Mounting arm is heavy-gauge extruded rectangular aluminum.
7. Seven standard finishes available on all fixtures. Consult chart.
8. Custom colors upon application.

