

Newport Area Solid State Lighting

ECLIPSE AREA & ROADWAY LUMINAIRE



EPA: 2.7
5 Year Limited Warranty on LED System
ETL Listed To UL1598 Standards For Wet Locations



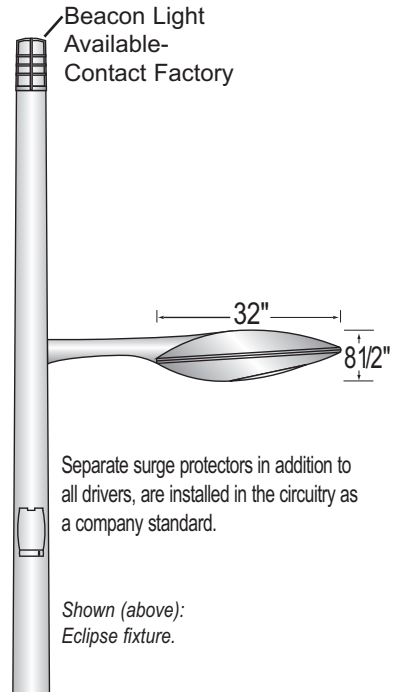
Eclipse Bolt-On Arm

A truly classic form, born from over a hundred years of practical experience and performance. ECLIPSE is a sleek contoured modern design, incorporating efficiency, aerodynamics, and performance. From the cast construction, hinging mechanism, components and stainless hardware, integrity of design and construction are exhibited throughout, yielding initial and long-term performance. The fixture consists of two cast aluminum halves, uniquely hinged, sealed and latched for easy operation and maintenance from below. The mounting arm, cast in aluminum, adds to the sleekness and aerodynamics.

Highly reflective segmented and hydro formed reflectors, using polished anodized aluminum with reflectivity approaching 95% are available. These types of light distribution, IES Type II, III, IV and V, are available to meet varying conditions and design requirements and are "full cut-off". The direction of distribution is controlled by a simple field adjustment (rotation) of the entire fixture.

As new light sources are developed and adapted to roadway lighting standards, this fixture will easily accommodate them including LED and LIFI. The ECLIPSE is finished using PEMCO'S five stage cleaning and pretreatment process prior to the application and thermally curing of 3 to 5 mills of TGIC polyester powder, creating a very durable, fade and abrasion resistant finish. Colors feature PEMCO'S standard seven colors as well as custom colors, consult with the factory.

IP Rating: IP65



Shown (above): Eclipse fixture.

LED LIGHT ENGINE SPECIFICATIONS:

INITIAL LUMENS BASED ON 219B CHIPS

MODEL#	WATTAGE	INITIAL LUMENS	SYSTEM EFFICACY	CCT	CRI	IES DISTRIBUTIONS
40W35C5K	40	4720	118	5K	65	Type II, III, IV, V
45W35C5K	46	5290	115	5K	65	Type II, III, IV, V
70W60C5K	70	8260	118	5K	65	Type II, III, IV, V
80W60C5K	80	9200	115	5K	65	Type II, III, IV, V
40W35C4K	40	4480	112	4.3K	65	Type II, III, IV, V
45W35C4K	46	5014	109	4.3K	65	Type II, III, IV, V
70W60C4K	70	7840	112	4.3K	65	Type II, III, IV, V
80W60C4K	80	8720	109	4.3K	65	Type II, III, IV, V
40W35C3K	40	3480	87	3.5K	80	Type II, III, IV, V
45W35C3K	46	3910	85	3.5K	80	Type II, III, IV, V
70W60C3K	70	6090	87	3.5K	80	Type II, III, IV, V
80W60C3K	80	6800	85	3.5K	80	Type II, III, IV, V
45W35C2K	46	3680	80	2.7K	80	Type II, III, IV, V
80W60C2K	80	6400	80	2.7K	80	Type II, III, IV, V

ORDERING FORMAT SURGE PROTECTION DEVICE MEETS IEEE C62.41 2002 C HIGH 10kA. See spec sheet on page J12.

MODEL # - LENS - MOUNT - LED MODEL # - VOLTAGE - IES DIST. - OPTIONS - FINISH
ECLP FL ARM-CAST ALUM. 45W35C4K UNIVERSAL TYPE III PC BK

Not Available In Different Lengths

OPTIONS				FINISH (HOUSING)	
Lens FL=Tempered Glass Lens – standard CL-ACR=Clear Acrylic – Flat SG=Sag Glass	Optical LED Optical Lens (Mounted on LED) II III IV V	Electrical PC=Photo Control Button FS=Fuse (single) FD=Fuse (double)	Arm Mounting Bolt-On Arm 37" (Extends 54" overall with fixture)	Standard Colors BK=Black BZ=Medium Bronze DBZ=Dark Bronze WH=White GR=Green SM=Silver Metallic	Premium Colors VP=Verde Patina PP=Pewter Patina SS=Silver Sparkle CC=Custom color HG= Hartford Green TBK=Textured Black

All arrays are "Full Cut-off"

LED Engine by **SANSI**

Newport Area Solid State Lighting

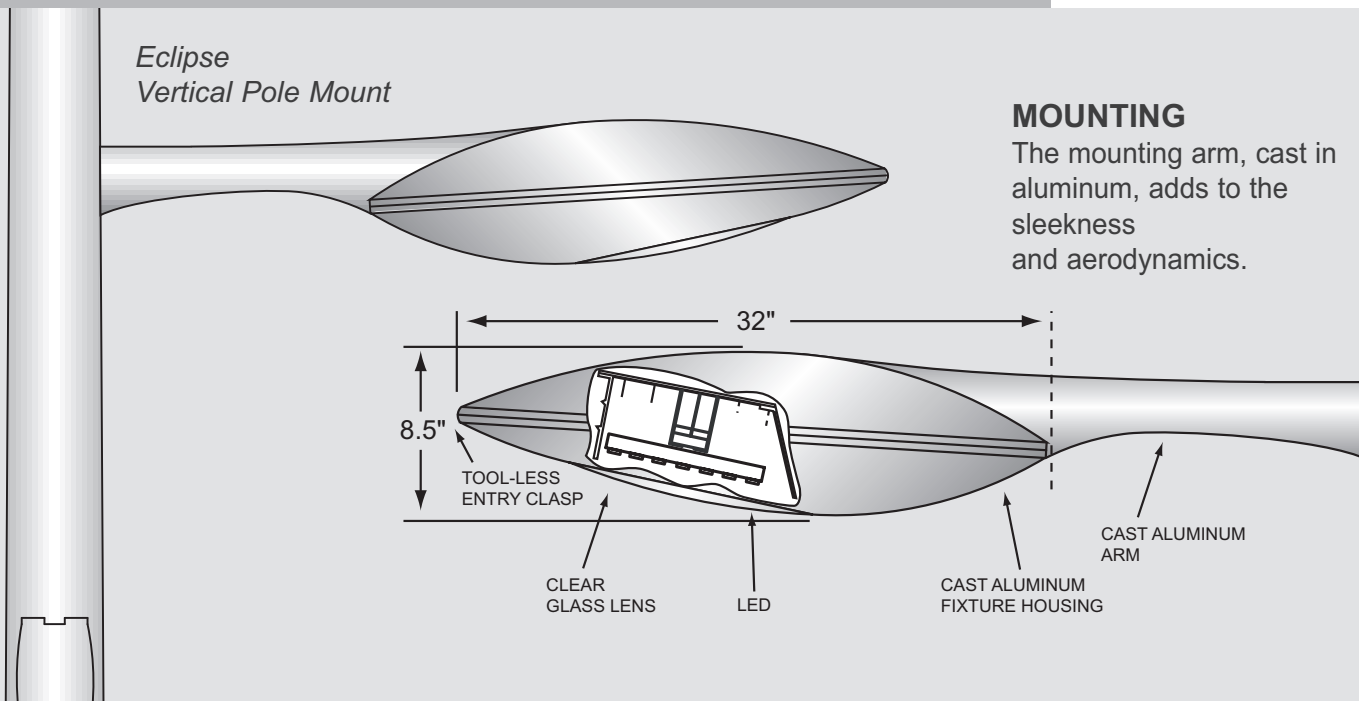


Options

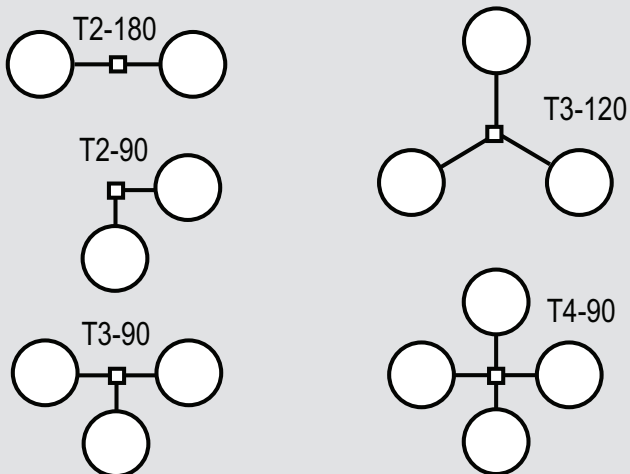
*Eclipse
Vertical Pole Mount*

MOUNTING

The mounting arm, cast in aluminum, adds to the sleekness and aerodynamics.

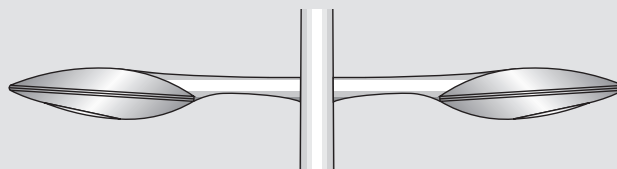


Mounting Configurations



Arms and Options

Twin 180° vertical pole mount with fixtures at same height



Twin 180° vertical pole mount with fixtures at varying heights

