

Bollards

CONTEMPORARY AND TRADITIONAL LED

Solid State Lighting

CAVALIER 1 LED (Square)



Cavalier luminaires accent fine architecture with pleasing illumination and style for walkways, courtyards, malls and landscape areas.

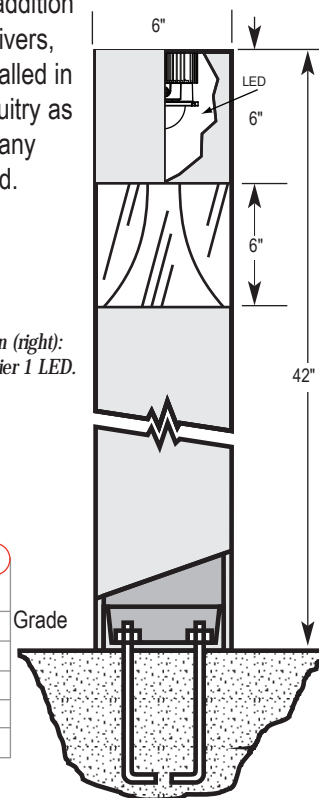
CONSTRUCTION:

Bottom section is extruded aluminum 6" square x .125 wall with internal sturdy aluminum base for anchor bolt mounting to foundation. Three 1/2" x 12" galvanized anchor bolts included. Top section is 6" square extrusion with aluminum removable top plate for relamp-

ing. Optical system consists of a bright finish dome reflector in the top and a spun aluminum bright finish cone in the center section. The four sided fabricated clear acrylic enclosure is 1/4" thick material. Recommended overall heights from ground level to top of luminaire, 30", 36" or 42". Controlled reflectance is provided by a spun aluminum bright finish cone in lower section of the luminaire, for full cutoff. See standard and custom colors below. Separate surge protec-

tors in addition to all drivers, are installed in the circuitry as a company standard.

Shown (right): Cavalier 1 LED.



LED LIGHT ENGINE SPECIFICATIONS:

MODEL#	WATTAGE	INITIAL LUMENS	SYSTEM EFFICACY	CCT	CRI	IES DISTRIBUTIONS
SINGLE MODULE LED SYSTEM						
8W-850LM	9	850	97	2.7K, 3.0K, 3.5K, 4.0K	90	Type V
12W-1250LM	13	1250	97	2.7K, 3.0K, 3.5K, 4.0K	90	Type V
19W-2000LM	21	2000	97	2.7K, 3.0K, 3.5K, 4.0K	90	Type V
32W-3000LM	31	3000	97	2.7K, 3.0K, 3.5K, 4.0K	90	Type V
37W-4000LM	37	4000	108	2.7K, 3.0K, 3.5K, 4.0K	90	Type V

Note: The lumen values remain the same regardless of CCT.

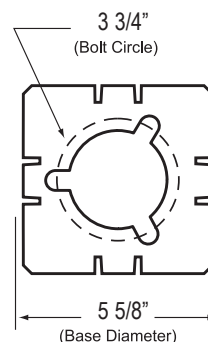
SURGE PROTECTION DEVICE MEETS IEEE C62.41 2002 C HIGH 10kA. See spec sheet on page J12.

Dimming Options:

White Light Dimming - Provides consistent color across the entire dimming range.

FEATURES

- Available in 2700K, 3000K, 3500K and 4000K CCT
- ≥ 90 CRI for all CCTs
- Minimum 95 CRI available for 3500K at 3000 lm
- 5-year limited system warranty
- No UV in light output
- No mercury in light source
- A revolutionary way to generate white light with LEDs that delivers high efficiency with beautiful light characteristics and color accuracy while maintaining color consistency over the life of the product.
- Industry-leading efficacy of up to 108 lm/W, measured at a case temperature (Tc) of 55 °C at steady state.
- Known and predictable correlated color temperature (CCT).
- LM 70 of 35,000 - 50,000 hours, depending on the Tc.



ORDERING FORMAT

MODEL #	LENS	SIZE-HEIGHT	LED MODEL #	VOLTAGE	IES DIST.	OPTIONS	FINISH
CAV 1	CL-ACR	30" 36" 42"	8W-850LM	UNIVERSAL	TYPE V	PC	BK

OPTIONS				FINISH	
Lens OP-ACR=Opal Acrylic FR-ACR=Frosted Acrylic CL-ACR=Clear Acrylic	Optical Type V Type III (Achieved by HSS)	Electrical PC=Photo Control Button FS=Fuse (single) FD=Fuse (double)	Optional IC=Internal Cone-Standard	Standard Colors BK=Black BZ=Medium Bronze DBZ=Dark Bronze WH=White GR=Green SM=Silver Metallic	Premium Colors VP=Verde Patina PP=Pewter Patina SS=Silver Sparkle CC=Custom color HG= Hartford Green TBK= Textured Black



RoHS