

Bollards

CONTEMPORARY AND TRADITIONAL LED

Solid State Lighting

CAVALIER 4 LED (Round)

Components

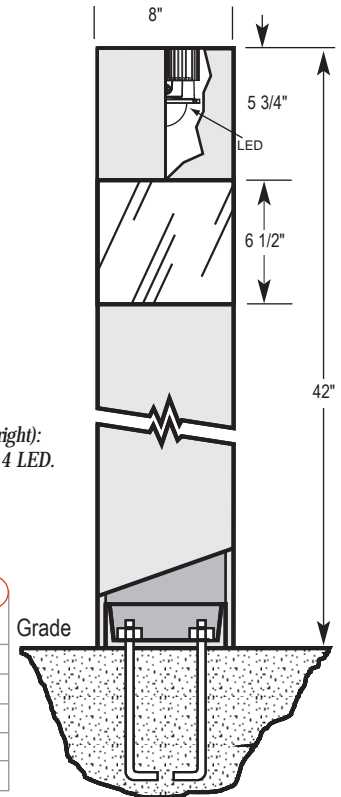
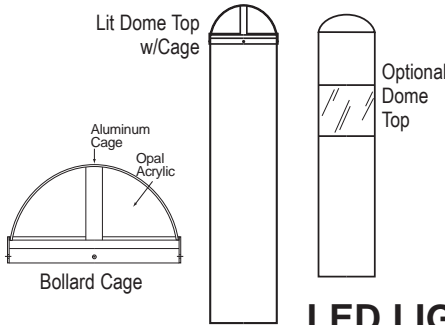


Cavalier luminaires accent fine architecture with pleasing illumination and style for walkways, courtyards, malls and landscape areas.

CONSTRUCTION:

Bottom section is extruded aluminum 8" round x .125 wall with internal sturdy aluminum base for anchor bolt mounting to foundation. Three 1/2" x 12" galvanized anchor bolts included. Top section is 8" round extrusion with aluminum removable top plate for relamp-

ing. The opal polycarbonate or clear lens is 8" O.D. x .250 thick material. A machined aluminum ring is welded in both top and bottom sections of 8" O.D. extrusion adjacent to the plastic diffuser to provide concentric alignment. Recommended overall heights from ground level to top of luminaire, 30", 36" or 42". See standard and custom colors below. Separate surge protectors in addition to all drivers, are installed in the circuitry as a company standard.



Shown (right): Cavalier 4 LED.

LED LIGHT ENGINE SPECIFICATIONS:

MODEL#	WATTAGE	INITIAL LUMENS	SYSTEM EFFICACY	CCT	CRI	IES DISTRIBUTIONS
SINGLE MODULE LED SYSTEM						
8W-850LM	9	850	97	2.7K, 3.0K, 3.5K, 4.0K	90	Type V
12W-1250LM	13	1250	97	2.7K, 3.0K, 3.5K, 4.0K	90	Type V
19W-2000LM	21	2000	97	2.7K, 3.0K, 3.5K, 4.0K	90	Type V
32W-3000LM	31	3000	97	2.7K, 3.0K, 3.5K, 4.0K	90	Type V
37W-4000LM	37	4000	108	2.7K, 3.0K, 3.5K, 4.0K	90	Type V

Note: The lumen values remain the same regardless of CCT.

SURGE PROTECTION DEVICE MEETS IEEE C62.41 2002 C HIGH 10kA. See spec sheet on page J12.

Dimming Options:

White Light Dimming - Provides consistent color across the entire dimming range.

FEATURES

- Available in 2700K, 3000K, 3500K and 4000K CCT
- ≥ 90 CRI for all CCTs
- Minimum 95 CRI available for 3500K at 3000 lm
- 5-year limited system warranty
- No UV in light output
- No mercury in light source
- A revolutionary way to generate white light with LEDs that delivers high efficiency with beautiful light characteristics and color accuracy while maintaining color consistency over the life of the product.
- Industry-leading efficacy of up to 108 lm/W, measured at a case temperature (Tc) of 55 °C at steady state.
- Known and predictable correlated color temperature (CCT).
- LM 70 of 35,000 - 50,000 hours, depending on the Tc.

ORDERING FORMAT

MODEL #	LENS	SIZE-HEIGHT	LED MODEL #	VOLTAGE	IES DIST.	OPTIONS	FINISH
CAV 4	CL-POLY	30" 36" 42"	8W-850LM	UNIVERSAL	TYPE V	PC	BK

OPTIONS			FINISH		
Lens FR-POLY=Frosted Poly. CL-POLY=Clear Poly. WH-POLY=White Poly.	Optical Type V	Electrical PC=Photo Control Button FS=Fuse (single) FD=Fuse (double)	Optional IC=Internal Cone Tops F=Flat DT=Dome Top LDT=Lit Dome Top w/Cage	Standard Colors BK=Black BZ=Medium Bronze DBZ=Dark Bronze WH=White GR=Green SM=Silver Metallic	Premium Colors VP=Verde Patina PP=Pewter Patina SS=Silver Sparkle CC=Custom color HG= Hartford Green TBK= Textured Black



RoHS