

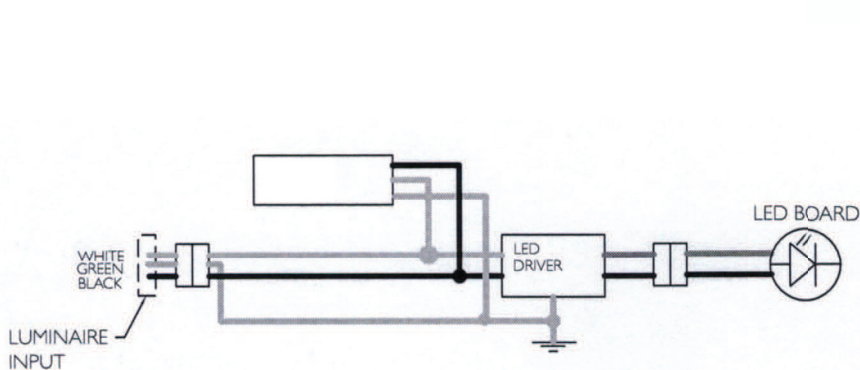
LIGHTING ACCESSORIES

& EQUIPMENT

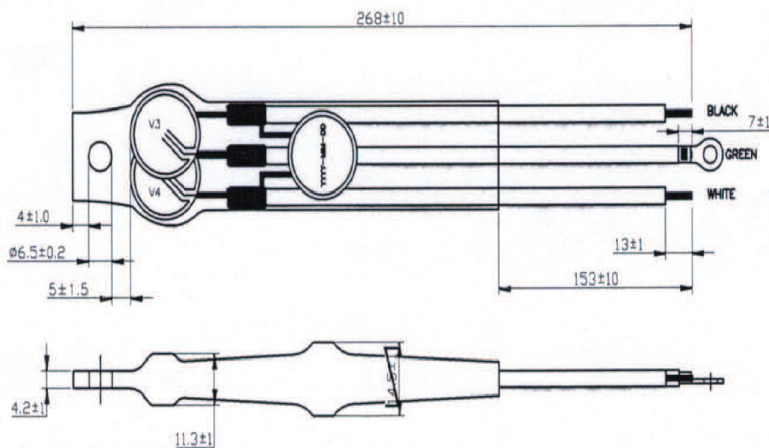
Surge Protection Device



PEMCO LIGHTING offers a surge protection device. Adapted to SSL outdoor lighting, Pemco Lighting's surge protection device provides single phase protection for line/neutral, line/ground and neutral/ground in accordance with IEEE C62.4 I 2002 C High, The SPI small size corresponds to the current design requirements for the new technology luminaires, like an LED light engine in outdoor lighting.



Voltage Input:	120V-27 7V (+/-5%)
Frequency:	50Hz-60Hz
Clamping Voltage:	320V
Maximum Energy:	430 Joules
Maximum Peak Current:	10kA (8/20µs standard wave)
Wiring:	14 Gauges stranded wires, 1 05°C. 600V
Wire Connections:	Black and white: 12mm skinned and thin plated Green: 12mm skinned with terminal
Mounting hole:	5.5mm



UNLESS OTHERWISE SPECIFIED
DIMENSIONS ARE IN MILLIMETER (mm)