

“THE WAVE™”

LUMINAIRE:

This custom luminaire utilizes RGB LEDs in 3 rows per wave. A 100W driver and DMX controls with dimming and surge protection.

FINISH:

Custom marine finish using super durable polyester powder in a “Matt” white finish. Fixture slip fits over 5” square pole top - other mounting options available.

ELECTRICAL COMPONENTS

DRIVER:

Hatch LED driver-100W-constant voltage 120-277 VAC Input/24 VDC Output UL 8750 listed.

SURGE PROTECTION:

Philips SP1 10KA / ROHS Compliant.

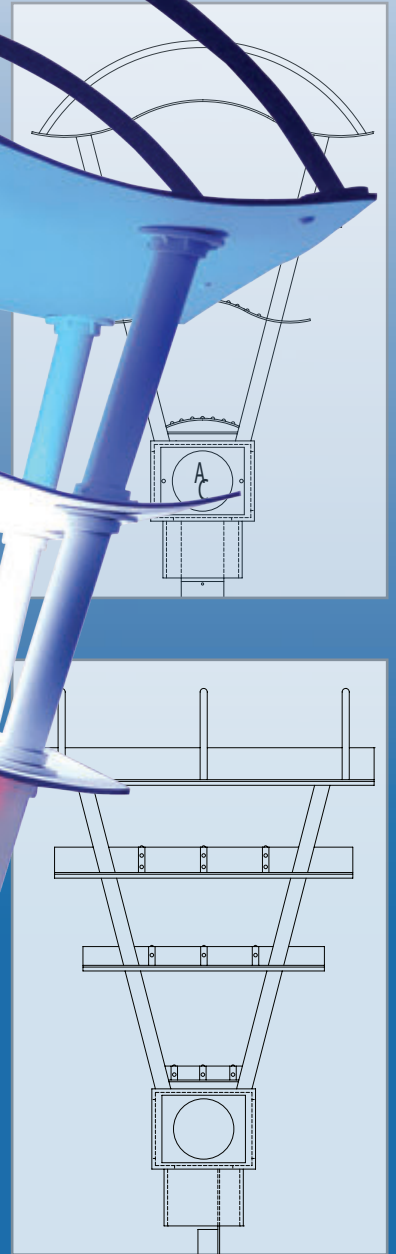
INTERFACE DIMMING:

E:CUE DMX2PWM 9 channel-pulse width modulation-9 Individually controllable PWM channels CSA listed.

RGB LED'S:

Waterproof RGB ribbonlyte-24V-4.4W per linear FT. 164LM/FT. 37LM per watt-UV resistant-IP68 rated CSA listed-ROHS compliant.

Color Changing LEDs



*Custom LED
Wave Fixture*



PEMCO
LIGHTING PRODUCTS, INC.

150 Pemco Way, Wilmington, DE 19804
www.pemcolighting.com
(302) 892-9000 Fax: (302) 892-9005